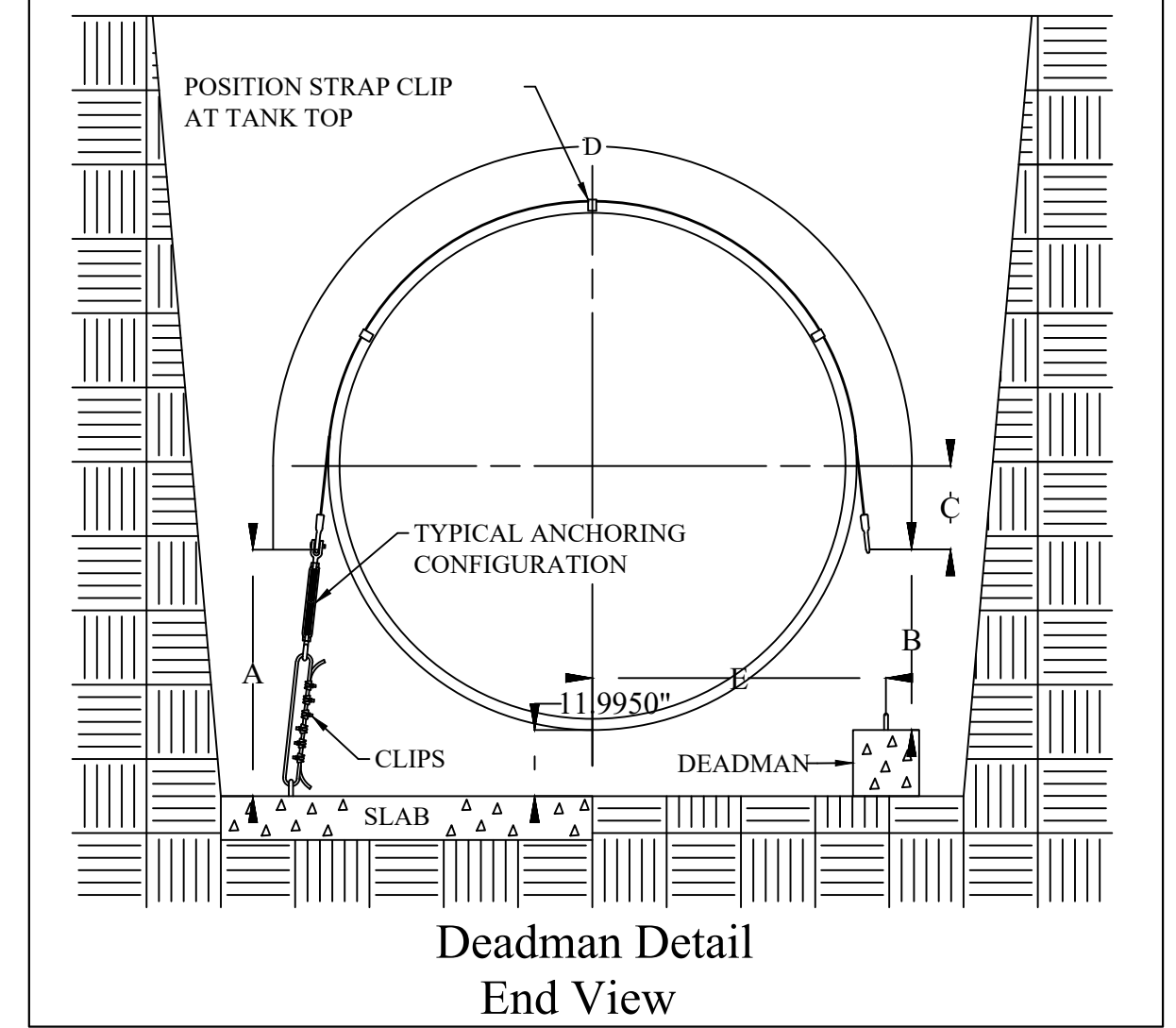


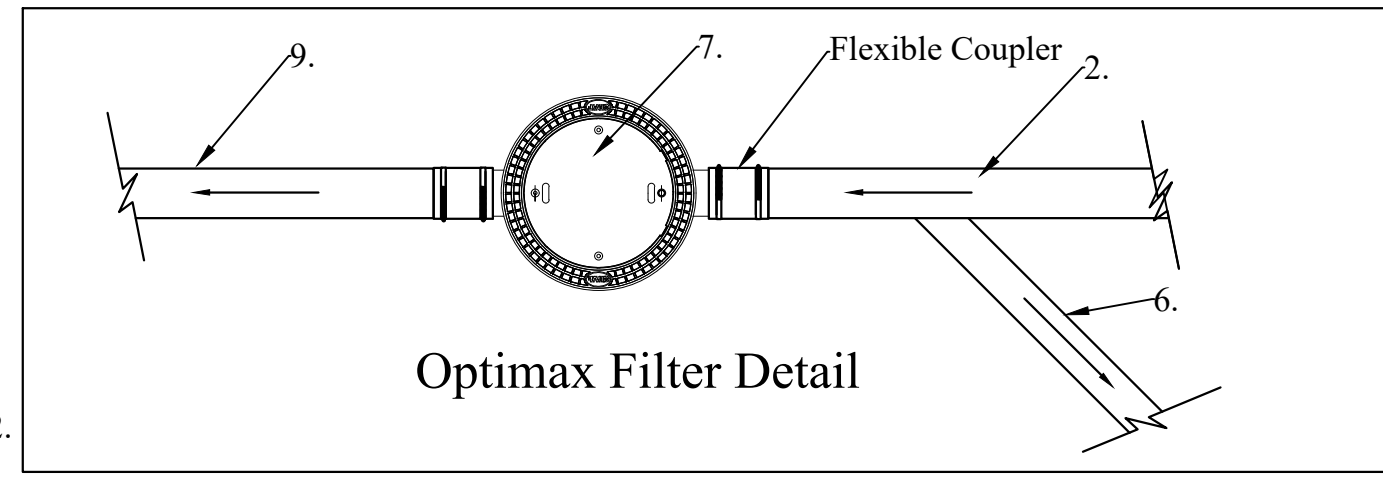
Precast dead man system with straps and turnbuckle assembly
Precast Deadman Detail Side View

Legend	
1.	10' Diameter Single Wall Fiberglass Tank Nominal Capacity 10,000 Gallons
2.	Rain Water Input from Roof or other Source
3.	RainFlo FI2500, Variable Speed Pump and PVC Housing
4.	2" Floating Pump Extractor with suction hose and 1.2mm Stainless Steel Screen Intake
5.	6" RainFlo Calming Inlet to Prevent Disturbance of Sediment on Bottom
6.	6" Clean Water Outlet from GRAF Filter to Inlet of Tank
7.	Graf Industrial Optimax Filter Product Number 340035/340036
8.	2" Half Coupling
9.	Debris Flushed out to Storm Drain with Overflow
10.	6" RainFlo Overflow Siphon
11.	30" PVC Access Riser and FRP Lid
12.	Access Ladder
13.	Cast Iron Lid and Ring (by others)
14.	Opticlean Spray Head

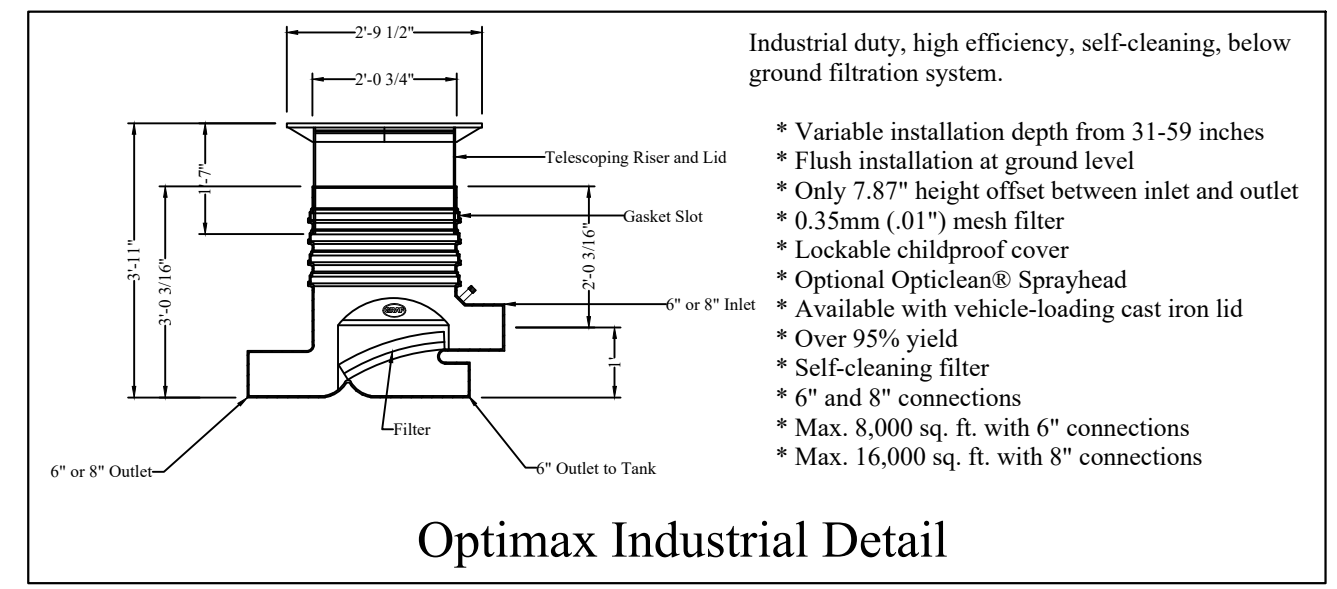
TANK DIA.	ANCHORING DIMENSIONS					
	"A"	"B"	"C"	"D"	"E" MIN.	"E" MAX.
4'	24"	18"	12"	8'-4-1/4"	27"	30"
6'	35"	23"	13"	12'-1"	42"	48"
8'	43"	31"	15"	15'-1"	52"	58"
10'	57"	45"	15"	18'-8-3/4"	69"	75"
12'	58"	50"	23"	22'-6-3/4"	87"	93"



Deadman Detail End View

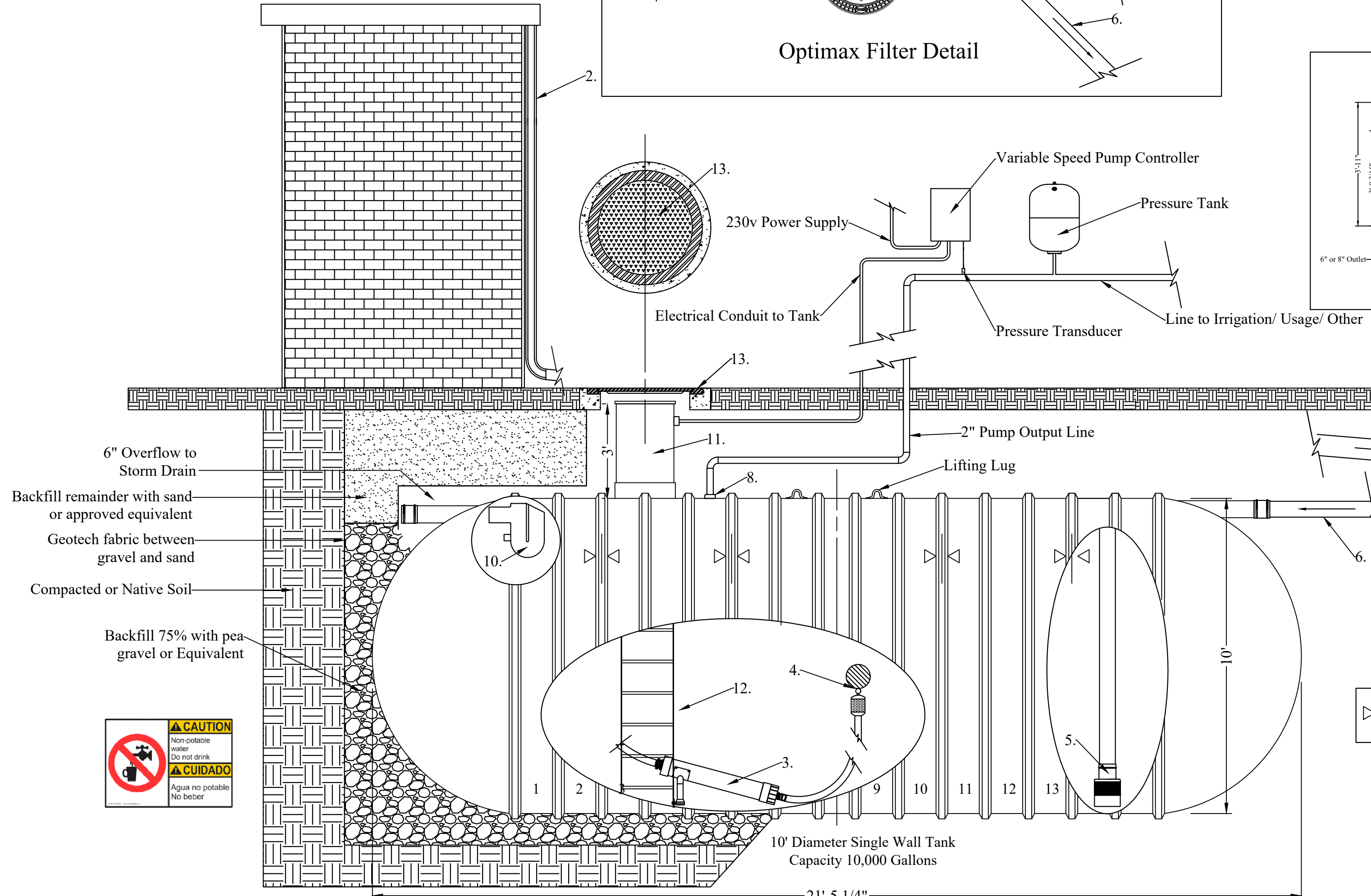


Optimax Filter Detail



Optimax Industrial Detail

- Industrial duty, high efficiency, self-cleaning, below ground filtration system.
- * Variable installation depth from 31-59 inches
 - * Flush installation at ground level
 - * Only 7.87" height offset between inlet and outlet
 - * 0.35mm (.01") mesh filter
 - * Lockable childproof cover
 - * Optional Opticlean® Sprayhead
 - * Available with vehicle-loading cast iron lid
 - * Over 95% yield
 - * Self-cleaning filter
 - * 6" and 8" connections
 - * Max. 8,000 sq. ft. with 6" connections
 - * Max. 16,000 sq. ft. with 8" connections



10' Diameter Single Wall Tank Capacity 10,000 Gallons

USER'S Responsibility
Rainwater supplied by RainHarvest Systems is NON-Potable water. Warning do not drink water supplied from RainHarvest Systems rainwater systems and related equipment. We will be happy to offer suggestions on the use of our various products either by way of printed material or through direct contact with RainHarvest Systems team members. However, since we have no control over the use of our products once they are shipped, NO WARRANTY WEATHER OF MERCHANTABILITY, FITNESS FOR PURPOSE, OR OTHERWISE is made beyond the repair, replacement, or refund of purchase price at the sole discretion of RainHarvest Systems. Users shall determine the suitability of the product for the intended application before using, and the users assume all risk and liability whatsoever in connection therewith, regardless of any team members suggestions or statements as to the application or construction. In no event of the purchase price of the product. Consult local building codes for the system use.

Denotes Holddown strap Location

NOTE: This drawing is for illustrative purposes only. Actual systems and designs may vary. Always check with local building codes as they will apply. Electrical work to be performed by licensed professional. Points of use shall be labeled as: "Non Potable water, Do Not Drink"



CHK BY:	APP BY:	DRAWN BY:	CMG	QUOTE NO.:	SHEET:
					1 OF 1
RainFlo 10,000 Gallon Fiberglass Inground Rainwater Collection System					
			RainHarvest Systems LLC. 4475 Alicia Lane Suite 100 Cumming, GA 30028 Tel: 770-889-2533		