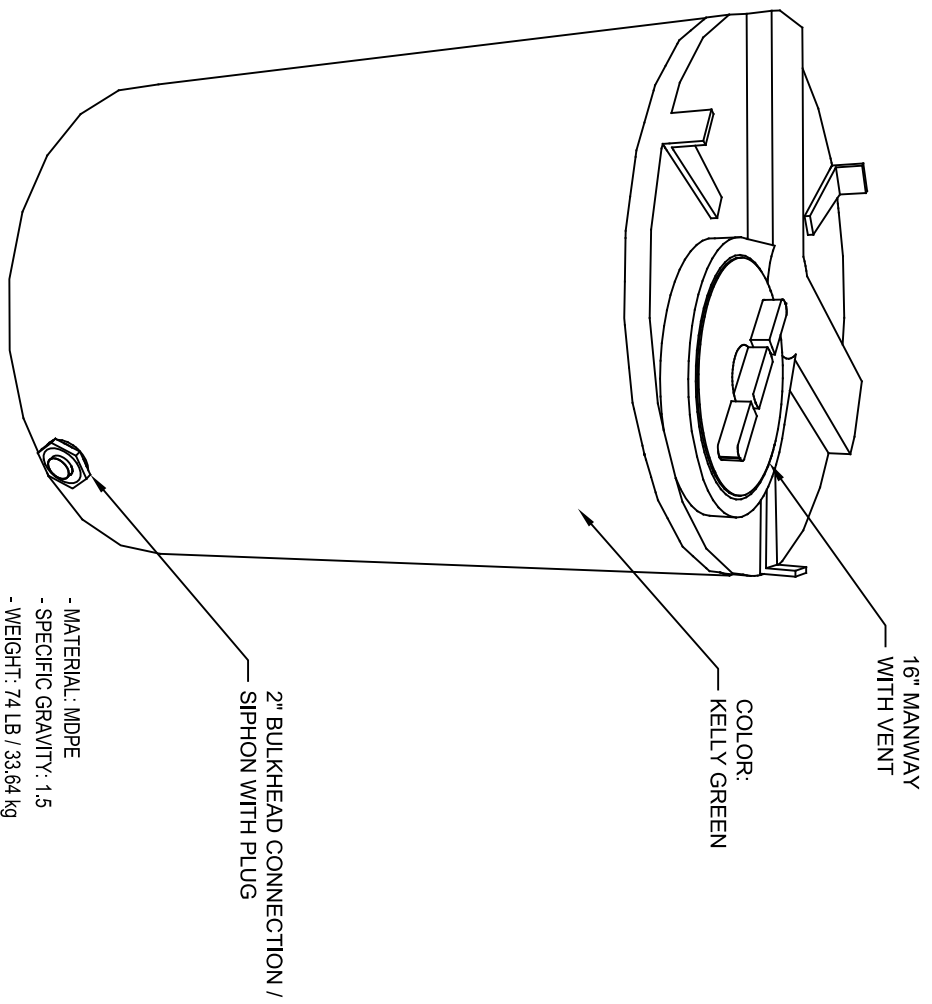
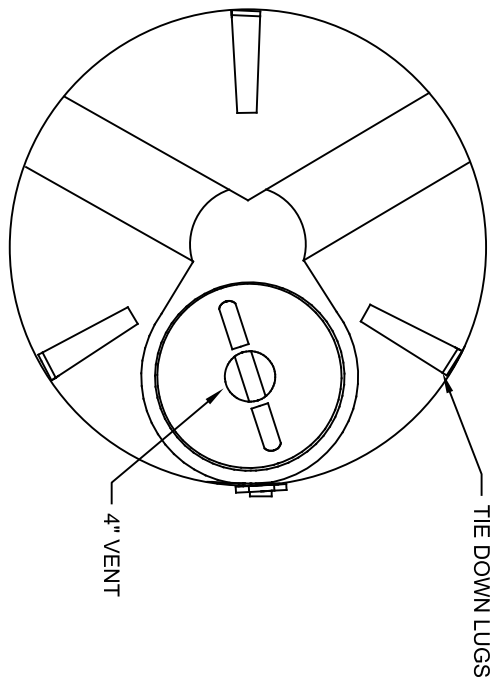


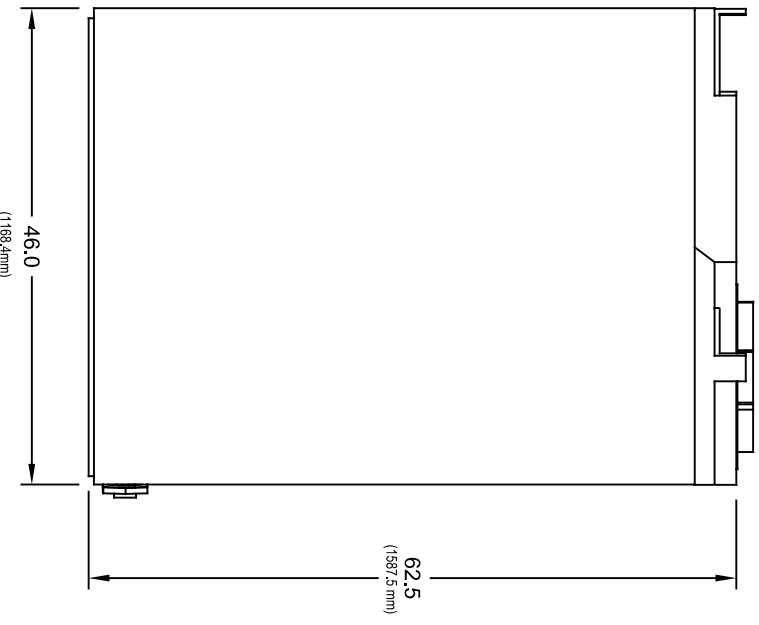
REVISIONS

REV	DESCRIPTION	DATE	AP/VD
A			



- MATERIAL: MDPE
- SPECIFIC GRAVITY: 1.5
- WEIGHT: 74 LB / 33.64 kg
- AGRICULTURAL PU:
- DENOTES TANK IS A PICK-UP MODEL AS WELL AS A VERTICAL STORAGE TANK (NO CUT-OUTS FOR WHEEL WELLS)
- ALL DIMENSIONS ARE APPROXIMATE

NOTE: This drawing is for illustrative purposes only. Actual systems and designs may vary. Always check with local building codes as they will apply. Electrical work to be performed by licensed professional. Points of use shall be labeled as: **"Non Potable water. Do Not Drink!"**



NOTES: UNLESS OTHERWISE SPECIFIED

Important Information
 Warning: Do not drink untreated rainwater. This system does not include disinfection, therefore is non-potable water. Refer to our filtration products for potable water solutions. User shall determine the suitability of the product for the intended application before installation. **NO WARRANTY** of MERCHANTABILITY, FITNESS for PURPOSE, or OTHERWISE is explicit or implied. User assumes all risk and liability whatsoever in connection with, regardless of any employee's suggestions or statements, the system application or construction. Furthermore, consult local building codes for system use, conditions, restrictions, or requirements.

THIS DRAWING IS A CONTROLLED DOCUMENT. RAINHARVEST SYSTEMS. ALL RIGHTS RESERVED

ADDITIONAL RESOURCES		DWN		KTAYLOR	
CHK		CMG			
DATE		11/9/2022		WEIGHT	
DIMENSIONS		INCHES		SIZE	
SY#		1 OF 1		SCALE	
				1 : 1	
				ITEM NO	
				RFAC T-400G	
				QUOTE NUMBER	

RainFlo 400 Gallon Vertical Storage Tank

RainHarvest Systems LLC.
 4475 Alicia Lane
 Cumming, GA 30028
 Tel: 770-889-2533 www.rainharvest.com