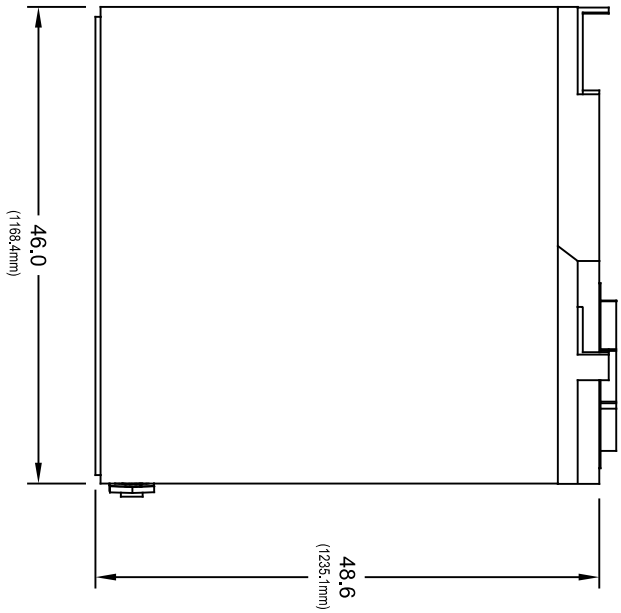
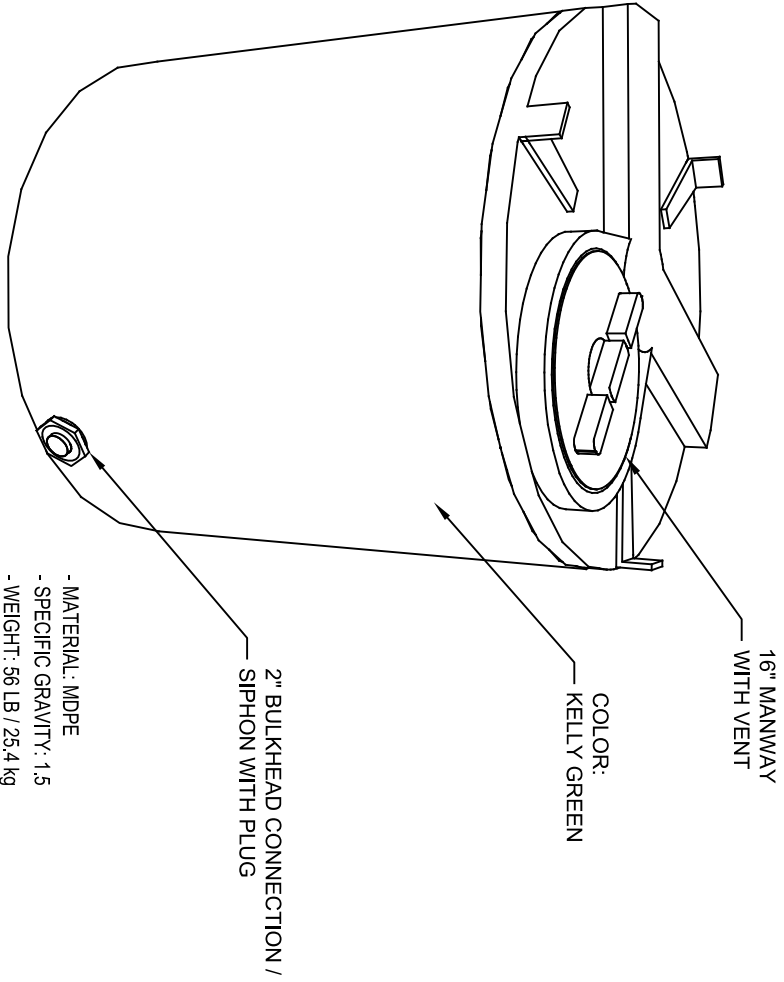
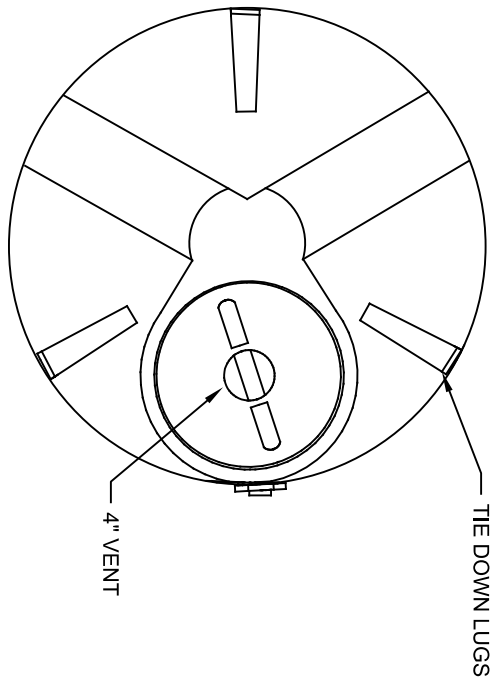


REVISIONS

REV	DESCRIPTION	DATE	AP/VD
A			



- MATERIAL: MDPE
- SPECIFIC GRAVITY: 1.5
- WEIGHT: 56 LB / 25.4 kg
- AGRICULTURAL PU:
- DENOTES TANK IS A PICK-UP MODEL AS WELL AS A VERTICAL STORAGE TANK (NO CUT-OUTS FOR WHEEL WELLS)
- ALL DIMENSIONS ARE APPROXIMATE

NOTE: This drawing is for illustrative purposes only. Actual systems and designs may vary. Always check with local building codes as they will apply. Electrical work to be performed by licensed professional. Points of use shall be labeled as: **"Non Potable water. Do Not Drink!"**

THIS DRAWING IS A CONTROLLED DOCUMENT. RAINHARVEST SYSTEMS. ALL RIGHTS RESERVED

NOTES: UNLESS OTHERWISE SPECIFIED

Important Information

Warning: Do not drink untreated rainwater. This system does not include disinfection, therefore is non-potable water. Refer to our filtration products for potable water solutions. User shall determine the suitability of the product for the intended application before installation. **NO WARRANTY** of MERCHANTABILITY, FITNESS for PURPOSE, or OTHERWISE is explicit or implied. User assumes all risk and liability whatsoever in connection with, regardless of any employee's suggestions or statements, the system application or construction. Furthermore, consult local building codes for system use, conditions, restrictions, or requirements.

ADDITIONAL RESOURCES		DWM		KTA/VLOR		CMG	
DIMENSIONS		DATE:		SCALE		ITEM NO.	
INCHES		11/9/2022		1 : 1		RFACT-300G	
SUF#		WEIGHT		SCALE		QUOTE NUMBER	
1 OF 1		B		1 : 1		RFACT-300G	
				<h2>RainFlo 300 Gallon Vertical Storage Tank</h2>			
RainHarvest Systems LLC.				4475 Alicia Lane			
Cunning, GA 30028				Tel: 770-859-2533			
www.rainharvest.com							