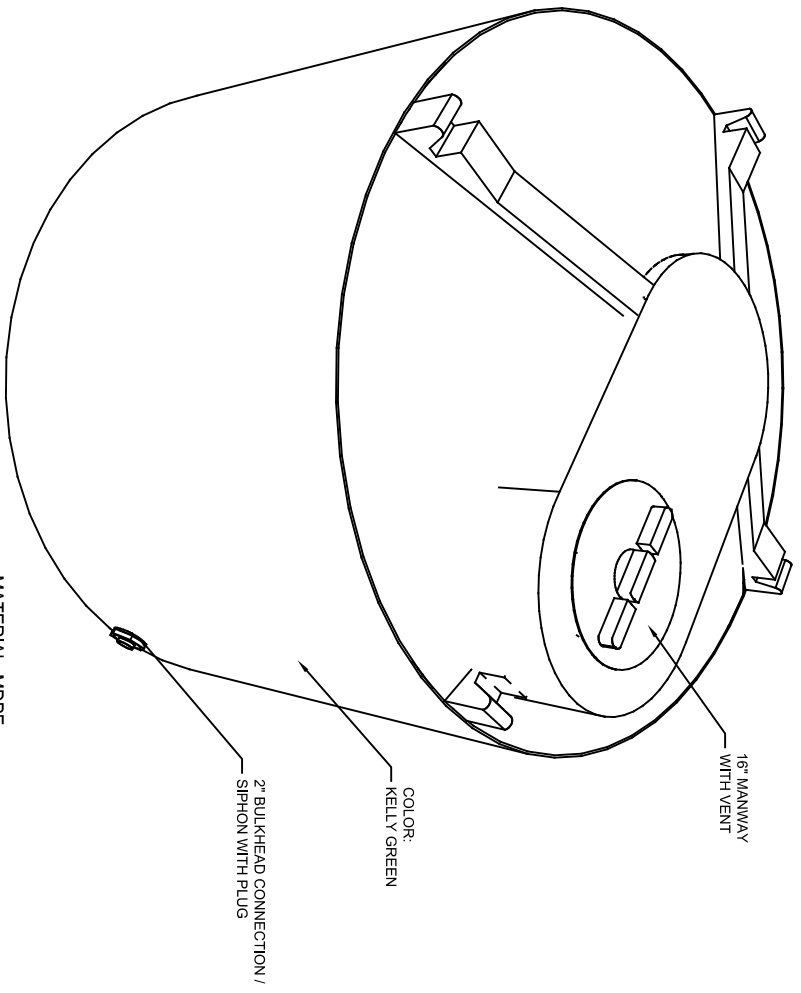
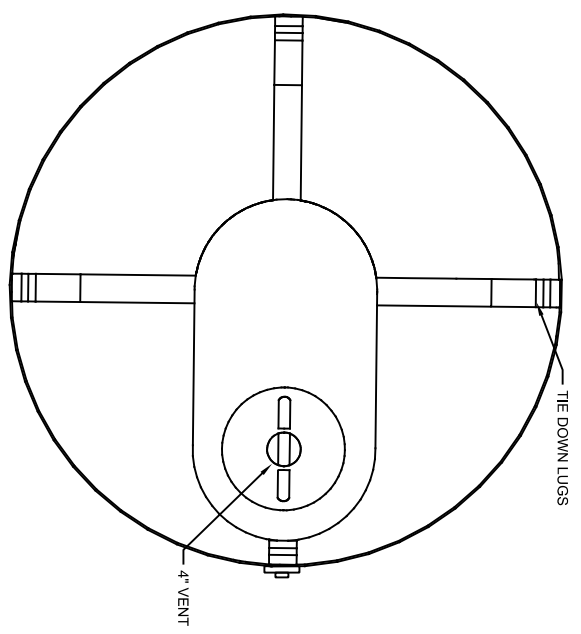
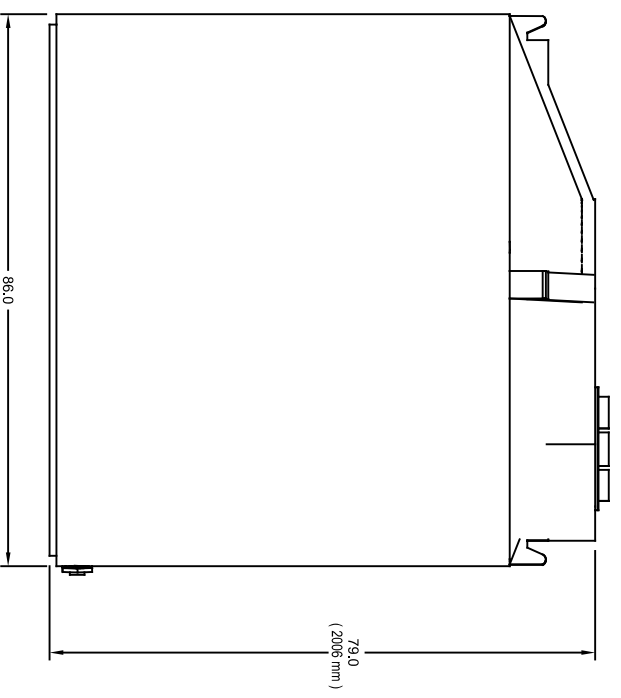


# REVISIONS

REV	DESCRIPTION	DATE	APVD
A			



- MATERIAL: MDPE
- SPECIFIC GRAVITY: 1.5
- WEIGHT: 238 LB / 108.2 kg
- AGRICULTURAL PU:
- DENOTES TANK IS A PICK-UP MODEL AS WELL AS A VERTICAL STORAGE TANK (NO CUT-OUTS FOR WHEEL WELLS)
- ALL DIMENSIONS ARE APPROXIMATE



NOTES: UNLESS OTHERWISE SPECIFIED

**Important Information**  
 Warning: Do not drink untreated rainwater. This system does not include disinfection, therefore is non-potable water. Refer to our filtration products for potable water solutions.  
 User shall determine the suitability of the product for the intended application before installation. **NO WARRANTY** of MERCHANTABILITY, FITNESS for PURPOSE, or OTHERWISE is explicit or implied. User assumes all risk and liability whatsoever in connection with, regardless of any employee's suggestions or statements, the system application or construction. Furthermore, consult local building codes for system use, conditions, restrictions, or requirements.

THIS DRAWING IS A CONTROLLED DOCUMENT. RAINHARVEST SYSTEMS. ALL RIGHTS RESERVED

ADDITIONAL RESOURCES		DIM		SCALE		ITEM NO.		QUOTE NUMBER	
KTAVLOR		CMG		1 : 1		B		RFAGT-1600G	
INCHES		DATE		11/9/2022		SIZE		4475 Alicia Lane Cumming, GA 30028 Tel: 770-889-2533 www.rainharvest.com	
SH#		WEIGHT		1 OF 1		SCALE		1 : 1	
RAINFLO		RAIN HARVEST SYSTEMS LLC.		1600G		1600G		1600G	

NOTE: This drawing is for illustrative purposes only. Actual systems and designs may vary. Always check with local building codes as they will apply. Electrical work to be performed by licensed professional. Points of use shall be labeled as: **"Non Potable water, Do Not Drink!"**