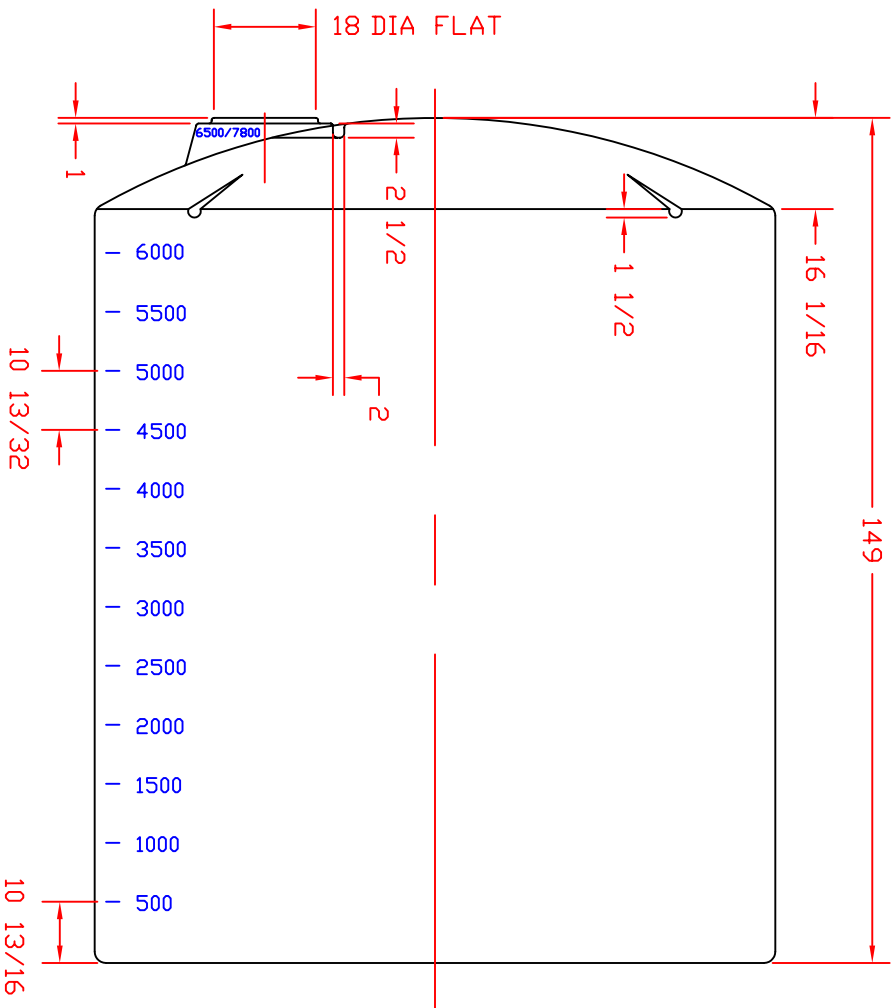
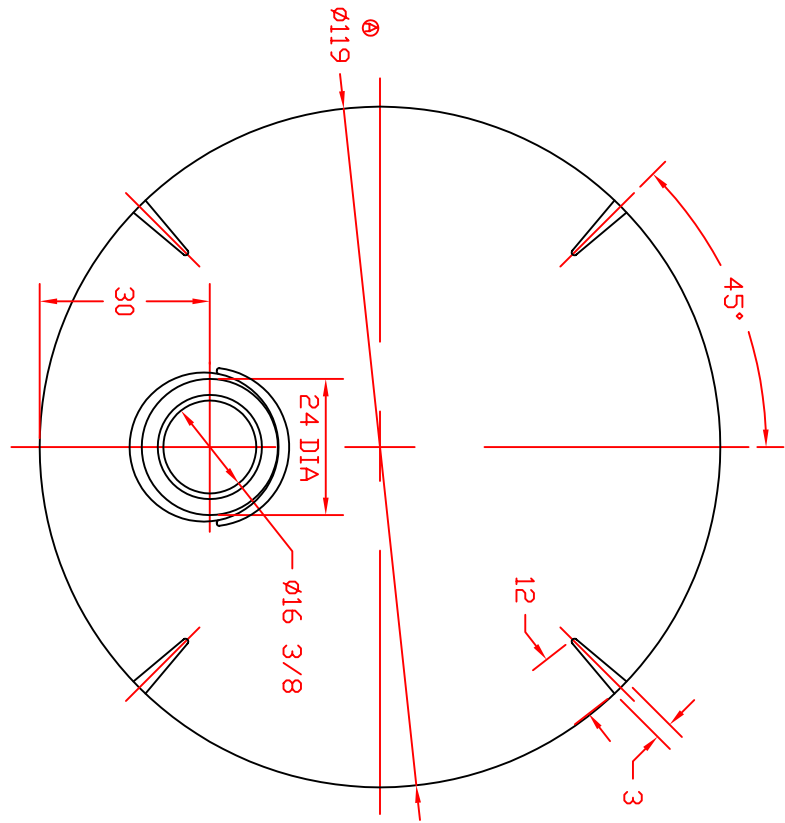


REVISIONS				
ZONE	REV	DESCRIPTION	DATE	APPROVED
A		UPDATE TO PRODUCTION		
			08SEP06	



		ST. BONIFACIUS, MN	
6500 GALLON VERTICAL TANK		JTP 26AUG94	
SIZE	FSCM NO.	DWG NO.	REV
B			A
SCALE 1/24		SHEET	