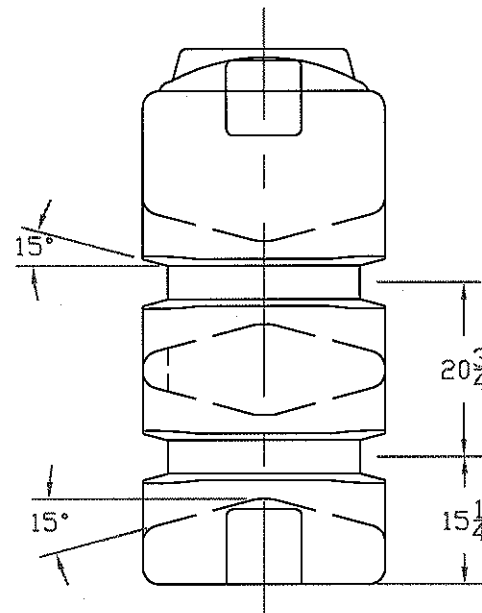
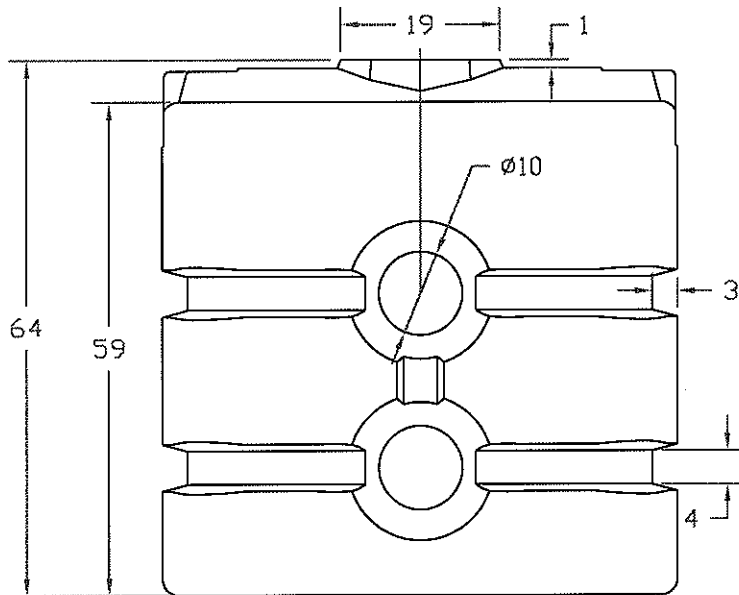


REVISIONS				
ZONE	REV	DESCRIPTION	DATE	APPROVED



NORWESCO				
ST. BONIFACIUS, MN				
400 GALLON FREESTANDING WATER TANK				
SIZE	FSCM NO.	DWG NO.	REV	
B				
SCALE 1/16			SHEET	

JTP 13MAR00