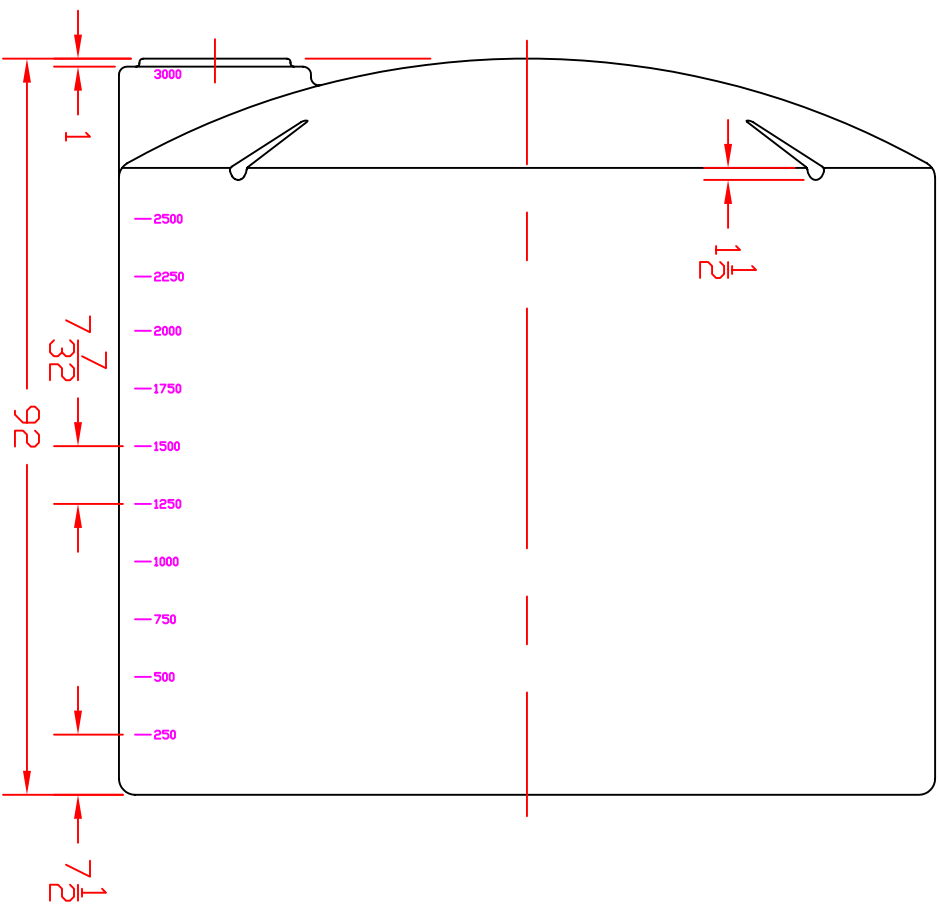
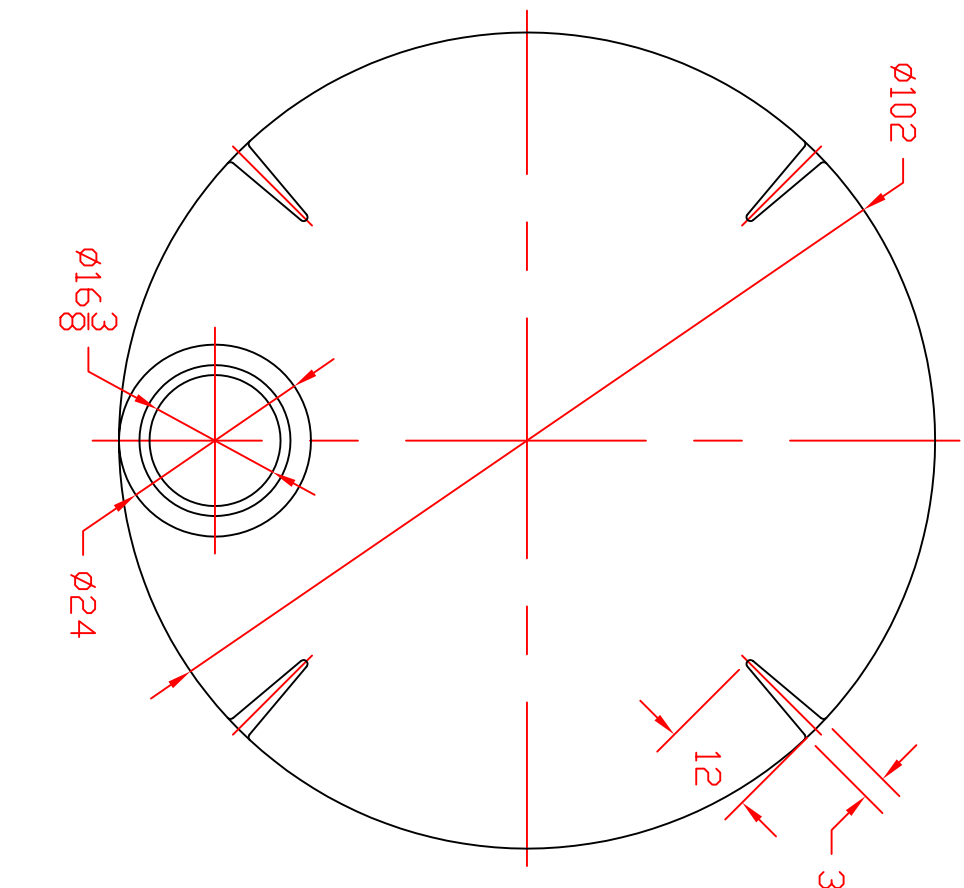



REVISIONS				
ZONE	REV	DESCRIPTION	DATE	APPROVED



FOB FAIRFIELD, TX

		ST. BONIFACIUS, MN	
3000 GALLON (X 102 DIA) VERTICAL STORAGE TANK		JTP 26FEB03	
SIZE A	FSCM NO.	DWG NO.	REV
SCALE 1/24		SHEET	