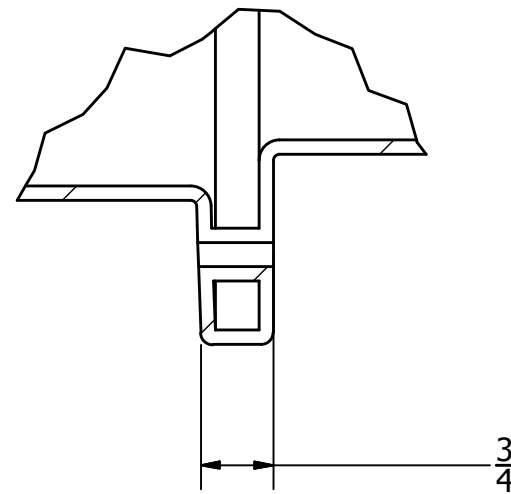
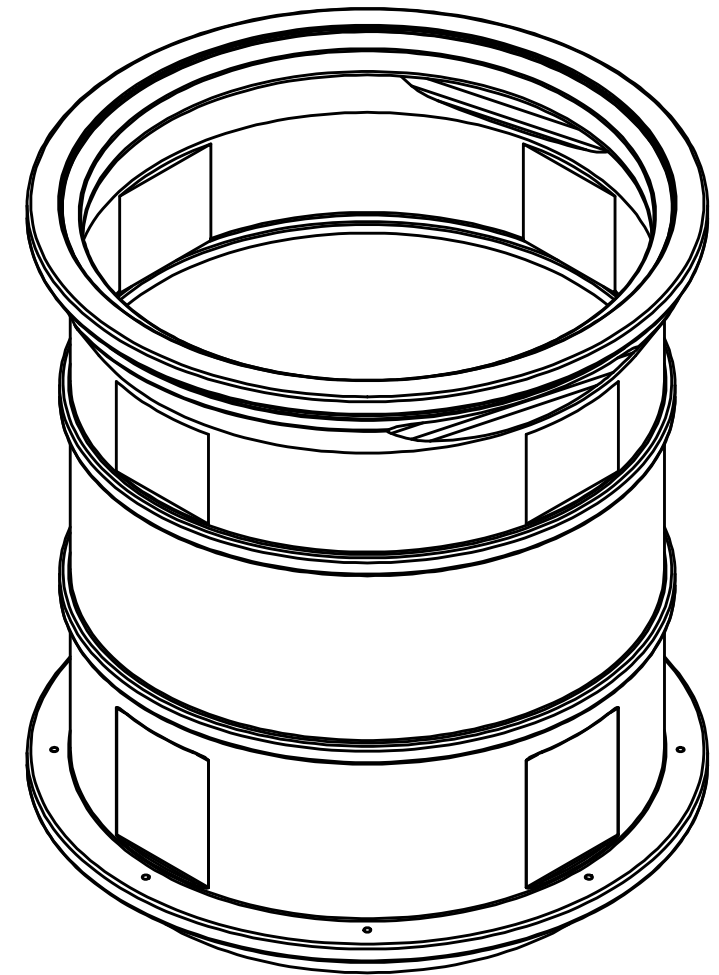


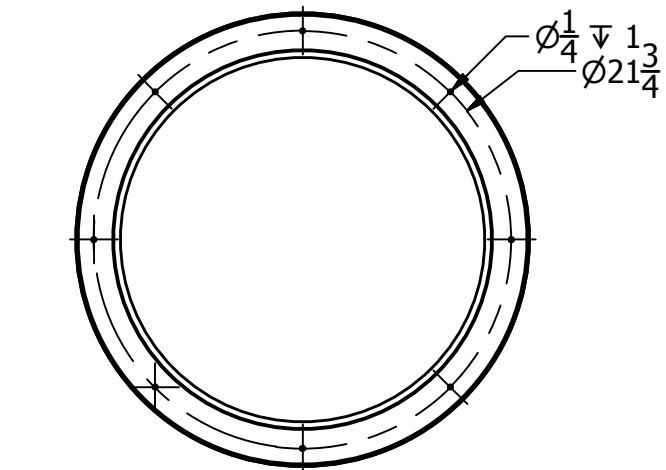
SECTION A-A  
SCALE 1/8




DETAIL B  
SCALE 1 / 2



REVISION HISTORY				
ZONE	REV	DESCRIPTION	DATE	APPROVED



DRAWN Todd Bolzer	7/31/2009	 NORWESCO, INC., ST. BONIFACIUS, MN TITLE		
CHECKED				
QA		24 INCH LOW PROFILE MAN HOLE EXTENSION		
MFG				
APPROVED		SIZE <b>B</b>	DWG NO <b>63834</b>	REV
		SCALE: 1/16	SHEET 1 OF 1	