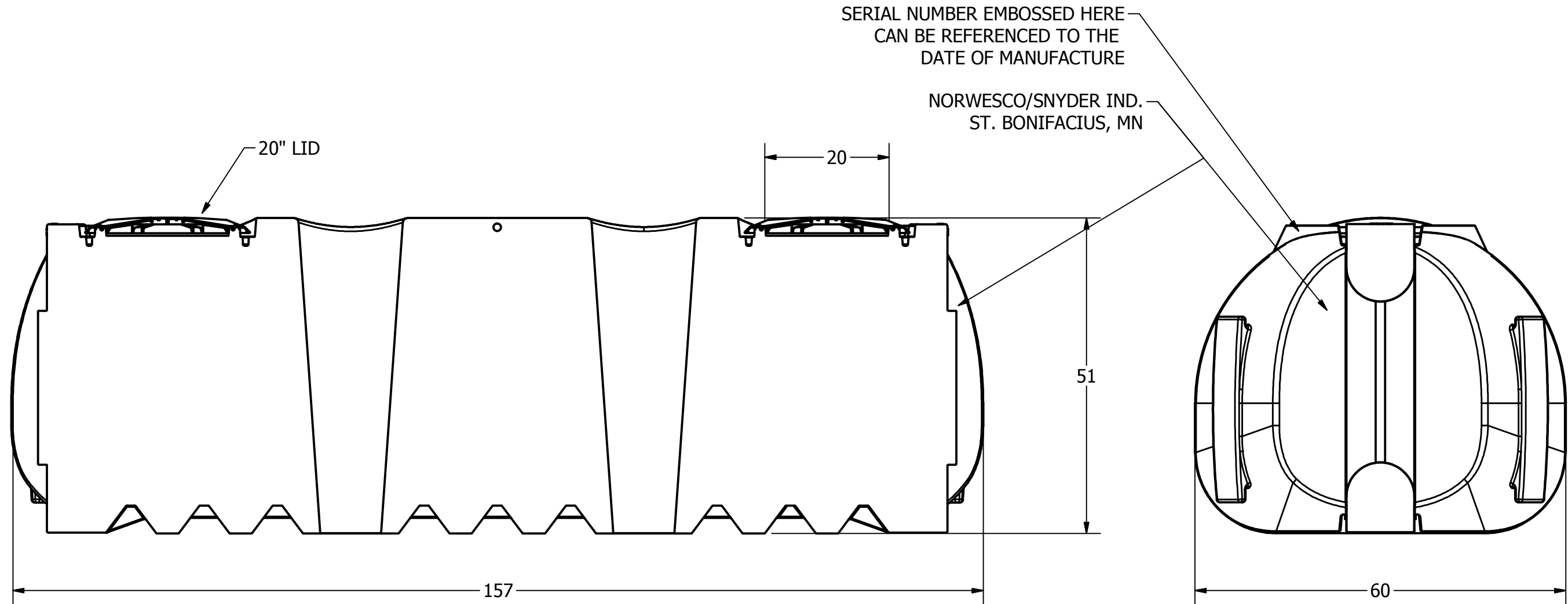



MATERIAL: HIGH-DENSITY POLYETHYLENE
 NSF 61 LISTED
 1425 US GALLONS WORKING CAPACITY

ZONE		REV	REVISION HISTORY	DATE	APPROVED
			DESCRIPTION		



ALL DIMENSIONS ARE IN INCHES, NOMINAL, AND SUBJECT TO CHANGE WITHOUT NOTICE.
 ALL DIMENSIONS ON ROTATIONALLY MOLDED PARTS ARE SUBJECT TO A ±3% TOLERANCE

DRAWN Todd Bolzer	7/6/2015	 NORWESCO NORWESCO, INC., ST. BONIFACIUS, MN TITLE 1425 LOW PROFILE CISTERN		
CHECKED				
QA				
MFG				
APPROVED				
		SIZE B	DWG NO 44406	REV
		SCALE: 1/16		SHEET 1 OF 1