

Graf Carat-S Rainwater Tanks

The new generation of Carat rainwater underground tanks has been specially developed for rainwater harvesting

The Carat-S Underground Tank:

The lineup consists of four modular tank units ranging from 700 gallons to 1,700 gallons which are expandable up to thousands of gallons. The precision, modular, and ultra-high strength design of the Carat-S makes it the choice of professionals worldwide. The Graf Carat tank is guaranteed not to collapse when empty when installed per the manufacturer's specifications.



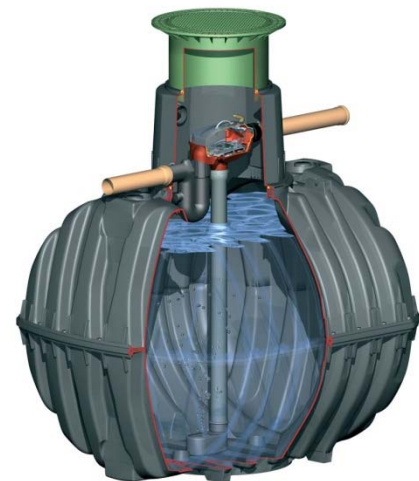
Carat-S Rainwater Tank Features:

- 15 Year manufacturer's warranty
- Suitable for vehicle loading (when combined with the cast iron lid option)
- Variable installation depth with double-sealed telescopic riser
- Convenient 31-1/2" manway opening
- Attractive locking green lid
- Internal pre-filtration option
- Easy to transport and install
- Ultra-high strength materials and design
- Frost-proof installation underground
- Groundwater stable to the middle of the tank

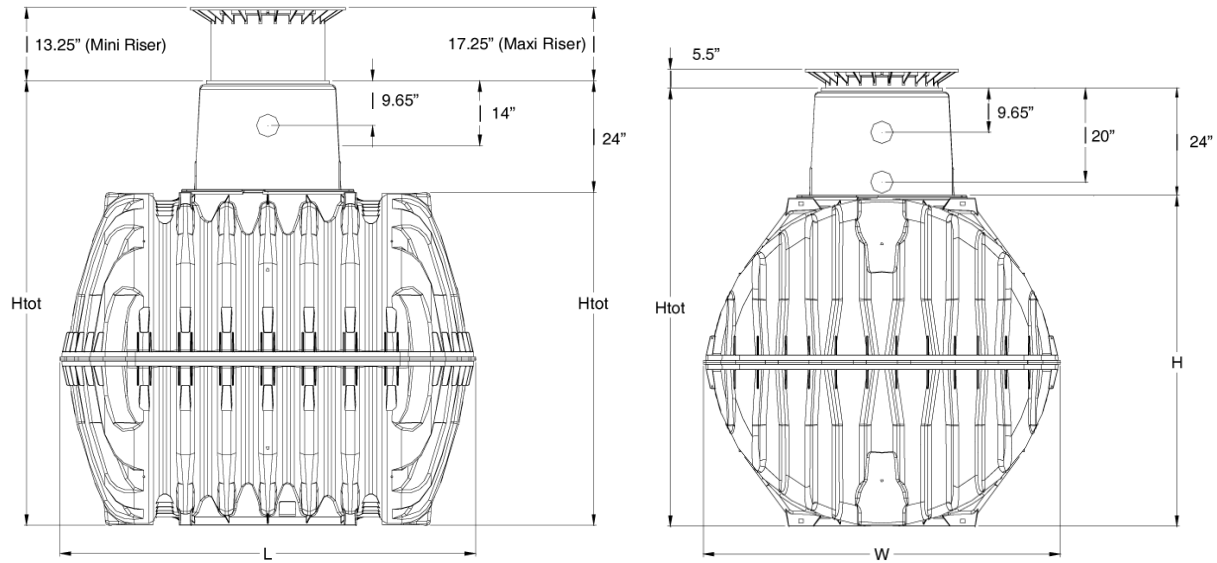
Internal Filter Package Option:

Specially designed for rainwater harvesting, the Graf Optimax Pro® internal self-cleaning filter uses patented filter technology to filter debris from roof areas up to 3,750 sq. ft.

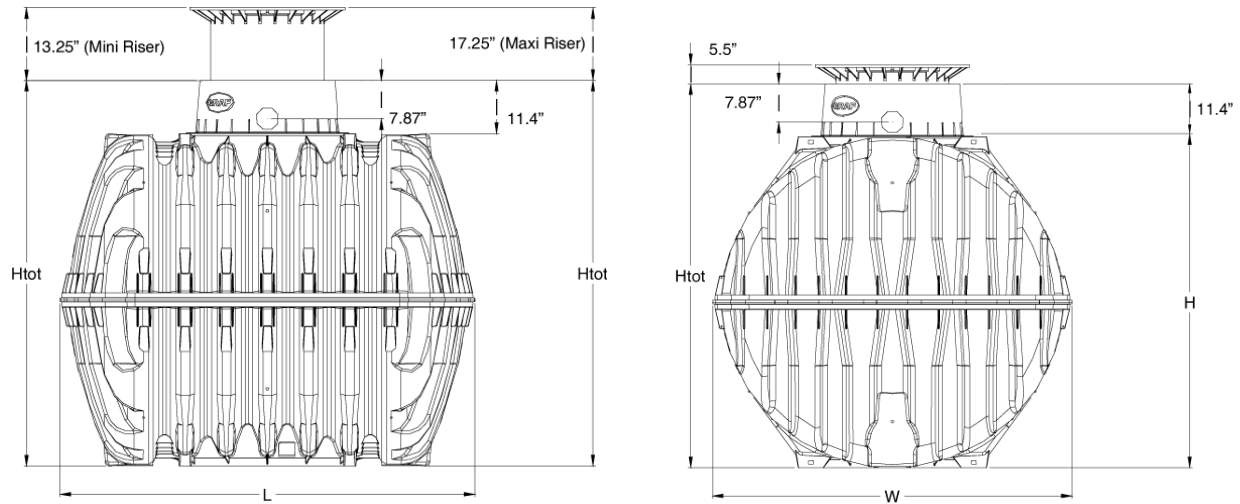
- Greatly simplified installation
- Only one manway and lid in the yard
- Provides over 95% water yield
- Self-cleaning
- Very low maintenance



Dimensions with Maxi Tank Dome:



Dimensions with Mini Tank Dome:



Tank	700 US Gallons	1000 US Gallons	1250 US Gallons	1700 US Gallons	1700 US Gallons (Expansion Tank)
Part No.	372001	372002	372003	372004	372014
Weight	265 lb.	331 lb.	408 lb.	485 lb.	485 lb.
L	82"	90"	90"	94"	94"
W	62"	69"	78"	86"	86"
H	55"	62.5"	71.5"	82.5"	82.5"
Htot*	79"	86.5"	95.5"	106.5"	NA
Htot**	66"	73.5"	82.5"	93.5"	NA

*Htot = total height **with Mini Tank Dome. Deeper burial depths can be achieved using optional extension rings