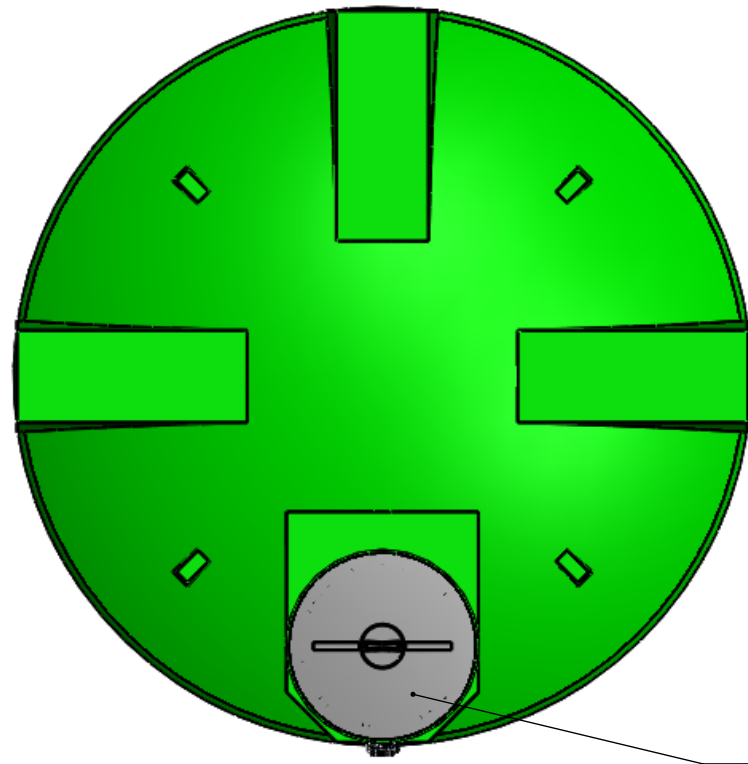
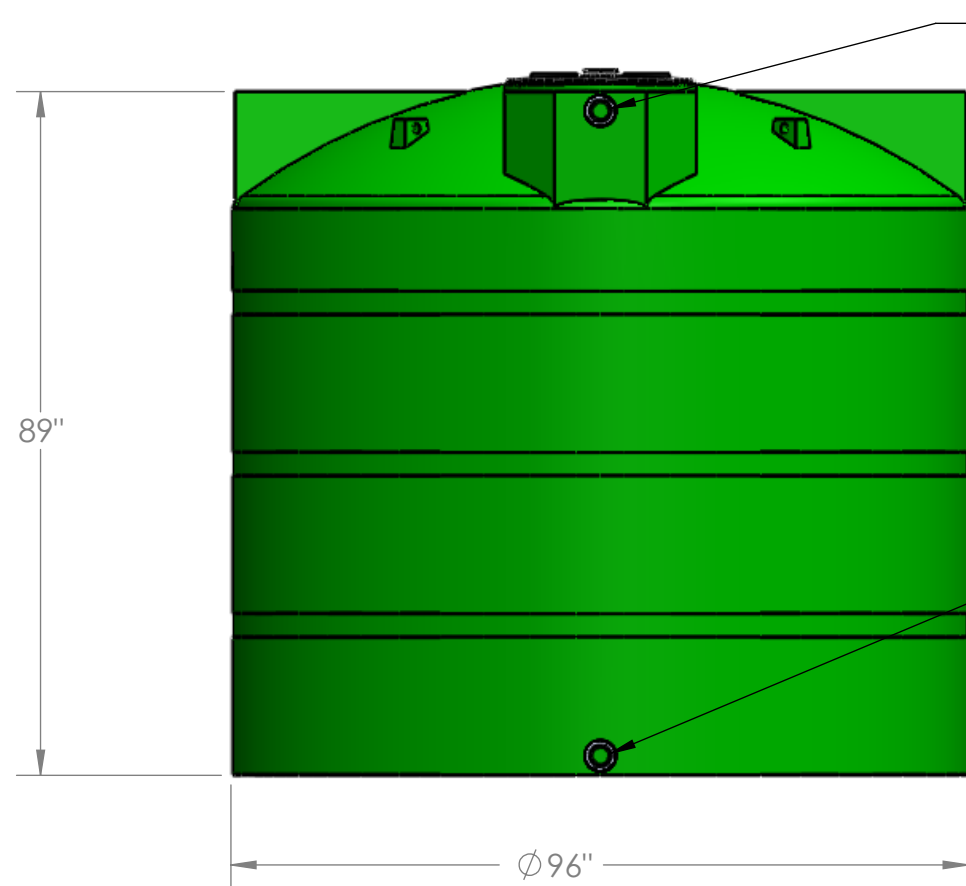
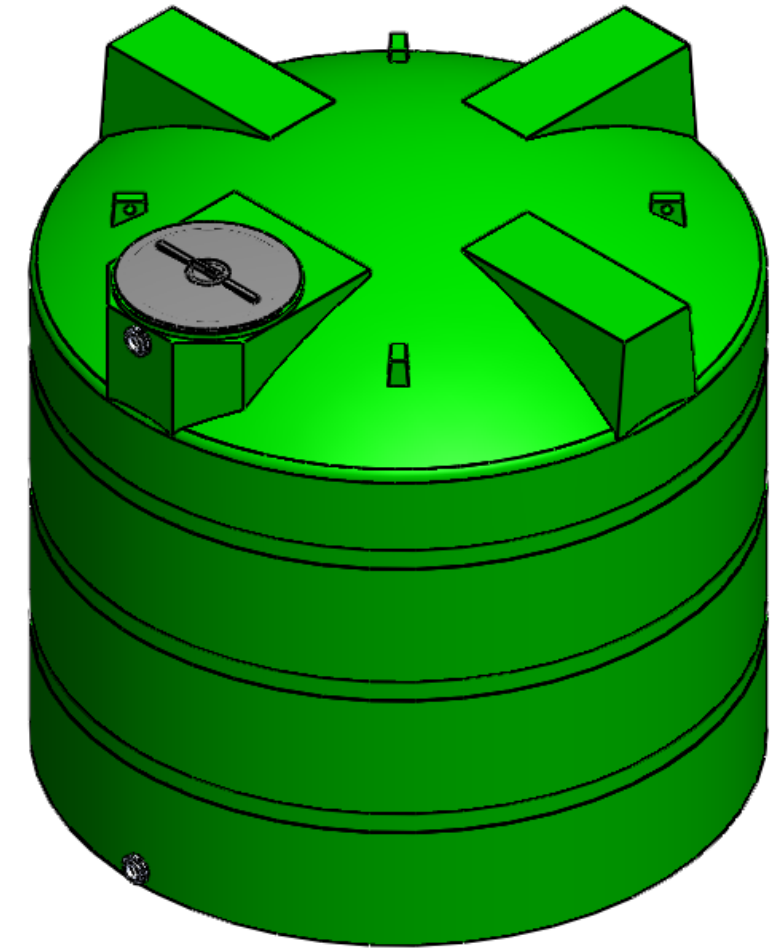


D
C
B
A

D
C
B
A



24" THREADED LID
W/ BREATHER



2" NPT
POLYPRO FITTING

2" NPT
POLYPRO FITTING

Ø96"

89"

NOTES:

1. MATERIAL: HDPE
2. COLOR: DARK GREEN
3. WEIGHT: 385 LBS.

PROPRIETARY AND CONFIDENTIAL
THE INFORMATION CONTAINED IN THIS DRAWING IS THE SOLE PROPERTY OF <INSERT COMPANY NAME HERE>. ANY REPRODUCTION IN PART OR AS A WHOLE WITHOUT THE WRITTEN PERMISSION OF <INSERT COMPANY NAME HERE> IS PROHIBITED.

		UNLESS OTHERWISE SPECIFIED:		NAME	DATE	CUSTOM ROTO-MOLDING, INC.
		DIMENSIONS ARE IN INCHES TOLERANCES: FRACTIONAL ± ANGULAR: MACH ± BEND ± TWO PLACE DECIMAL ± THREE PLACE DECIMAL ±		DRAWN EBW	12-02-11	
		INTERPRET GEOMETRIC TOLERANCING PER:		CHECKED		TITLE: 2500 GALLON VERTICAL TANK, FRESH WATER GREEN
		MATERIAL		ENG APPR.		SIZE DWG. NO. REV B 2500 VT FWG
NEXT ASSY	USED ON	FINISH		MFG APPR.		SCALE: 1:32 WEIGHT: SHEET 1 OF 1
APPLICATION		DO NOT SCALE DRAWING		Q.A.		
				COMMENTS:		