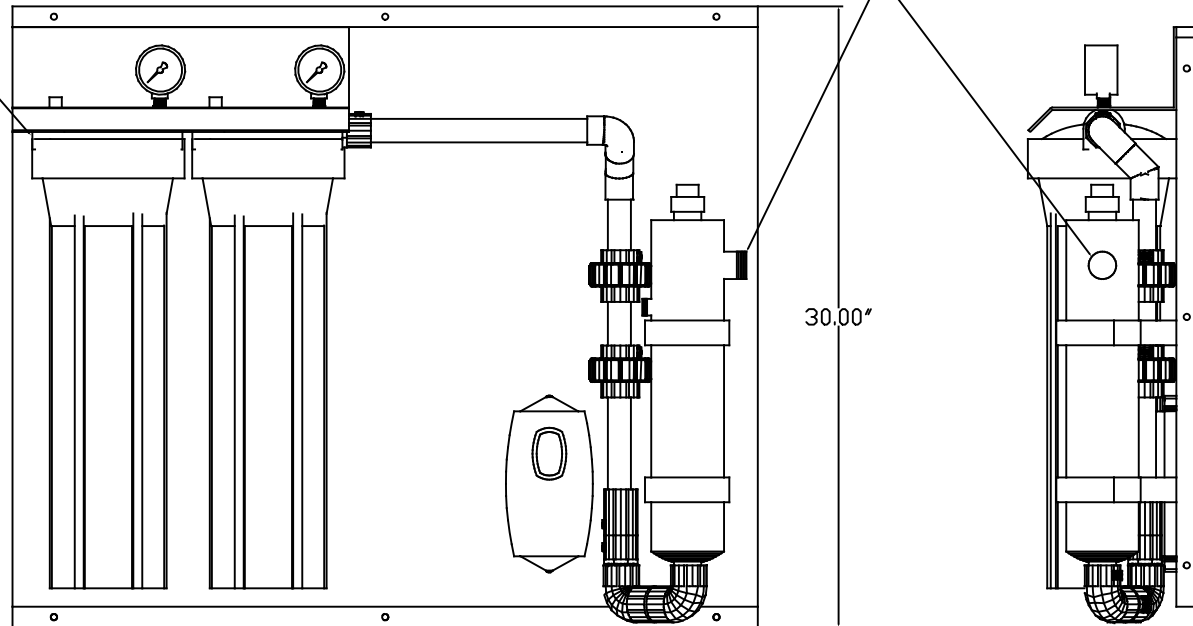
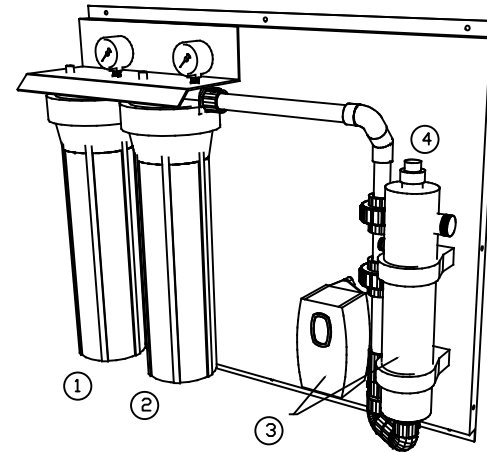


1" FNPT INLET

1" MNPT INLET



30.00"



Filter Housing #	Pre Filters 4.5" x 20"	Manufacturer Part Number
①	20 Micron Pleated Filter	400756
②	5 Micron Pleated Filter	400732

	UV CHAMBER, CONTROL AND BULB	Manufacturer Part Number
③	RainFlo UV Chamber and UV Control Module	RF4-10C
④	UV Lamp (Bulb)	RF-L390C

Filter Panel Configurations Available

Filter Housing Color	Water Flow Direction	Manufacturer P/N
Blue	Left to Right (L-R)	37541
Blue	Right to Left (R-L)	37534
Clear	Left to Right (L-R)	37565
Clear	Right to Left (R-L)	37588

**RainFlo Products**  
CLAWSON, GEORGIA

TITLE  
**RainFlo 10 Gpm UV  
Disinfection Package  
DUAL FILTER ARRAY**

PROJECT:		DWC. NO.		REV	
DRAWN	KAT	DATE	2/16/21	UVP-10 DUAL FILTRATION	A
ENGR.	KAT	DATE	6/17/20	SIZE B SCALE 1X1 SHEET DF	