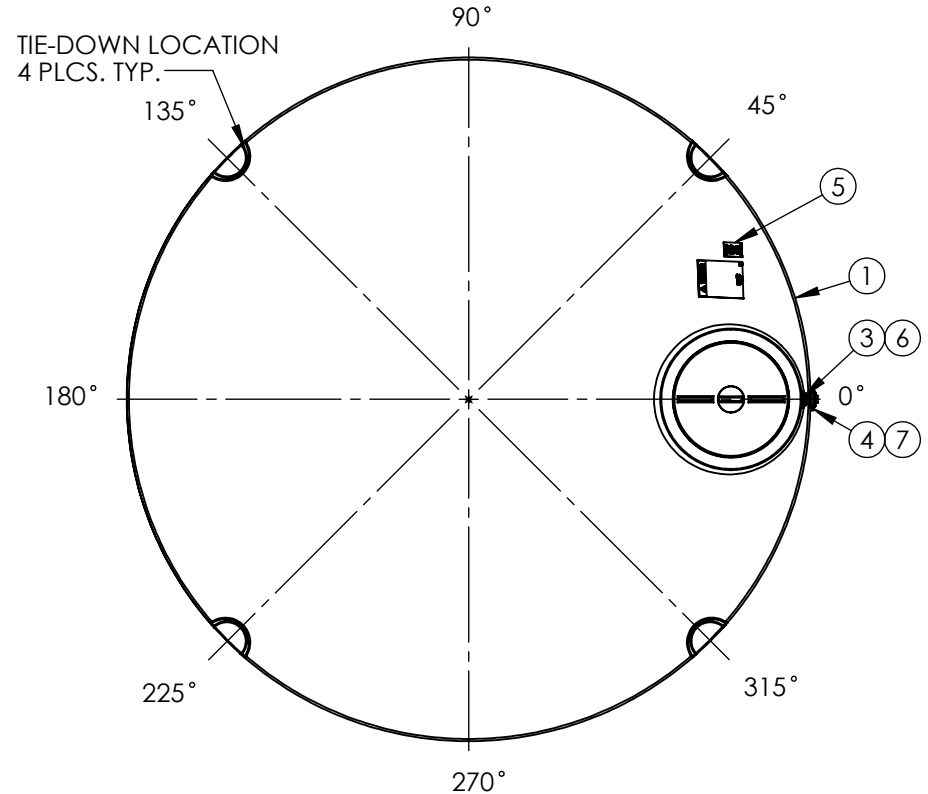
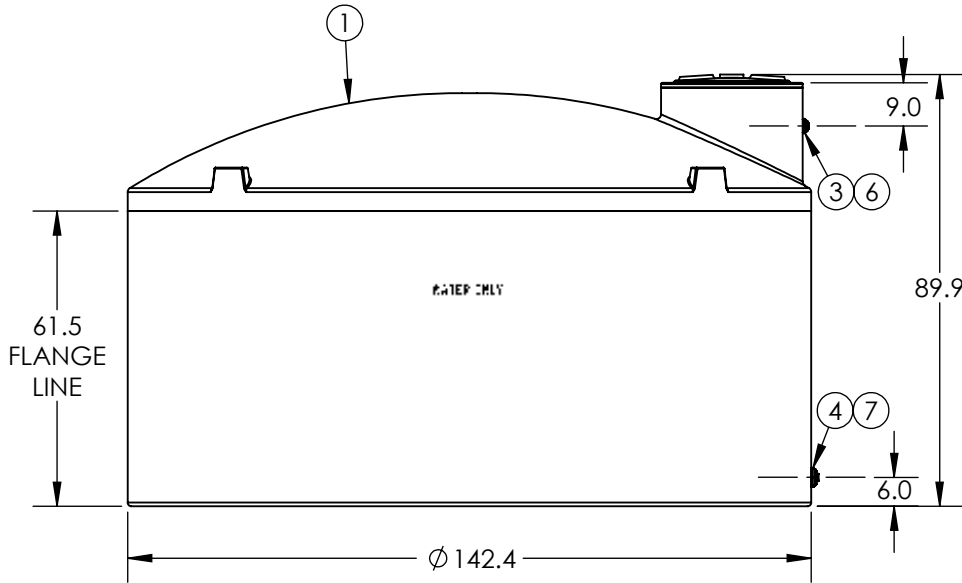


BLACK OR DARK OLIVE GREEN



7	1	60021	2" NPT PLUG
6	1	64149	1-1/2" NPT PLUG
5	1	99700231	DECAL NSF MARK - WATER TKS
4	1	60405	FTG PP 2IN BH EPDM TXT
3	1	63931	FTG PP 1-1/2IN ECO-BH EPDM TXT
2	1	34700352	ASM MANWAY PE 24IN VENTED
1	1	7000200W__02	ASM TK 5000VDT X 144 NH NMW

ITEM NO.	QTY.	PART NUMBER	DESCRIPTION	
DO NOT SCALE		DRAWN BY	REVISION	
STATUS: Released		SB	A	
© SNYDER INDUSTRIES INC., 2016				TITLE: ASM TK 5000VDT X 144 WATER
ALL DIMENSIONS, DESIGNS, AND INFORMATION ON THIS PRINT MUST BE CONSIDERED PROPRIETARY TO SNYDER INDUSTRIES, INC. AND MAY NOT BE USED, COPIED, OR DISTRIBUTED WITHOUT WRITTEN PERMISSION OF AN OFFICER (OR HIS AGENT) OF THE FIRM.		(402) 467-5221 www.snyderinet.com	PART NO. 7000200W__03	ENG. ID. D006342
			SHEET 1 OF 1	

*ALL EXTERNAL PIPING MUST BE INDEPENDENTLY SUPPORTED.
 *ONLY BASE FITTINGS TO BE LEFT INSTALLED AT TIME OF SHIPMENT PER SII PROCEDURE.
 *Consult Snyder's Guidelines for Use and Installation prior to delivery.
 Available on-line at <http://www.snyderindustriestanks.com/Technical>
 ALL DIMENSIONS ARE IN INCHES, NOMINAL, & SUBJECT TO CHANGE WITHOUT NOTICE.
 ALL DIMENSIONS ON ROTATIONAL MOLDED PARTS ARE SUBJECT TO A ± 3% TOLERANCE.