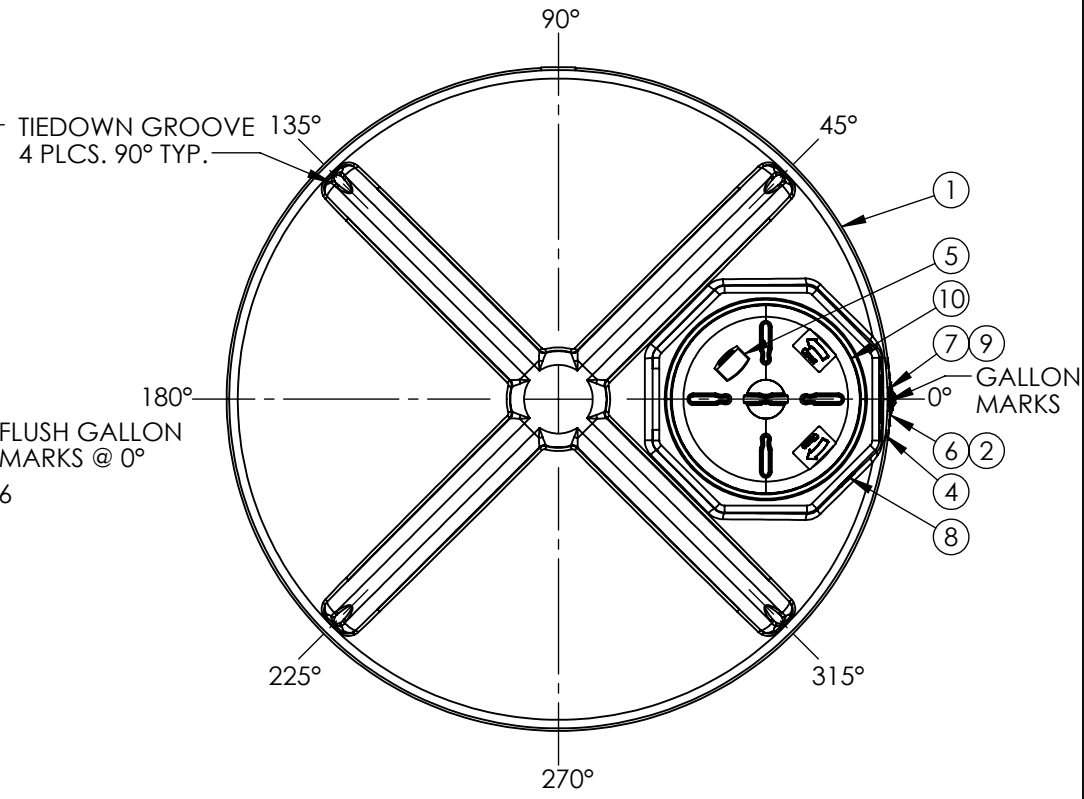
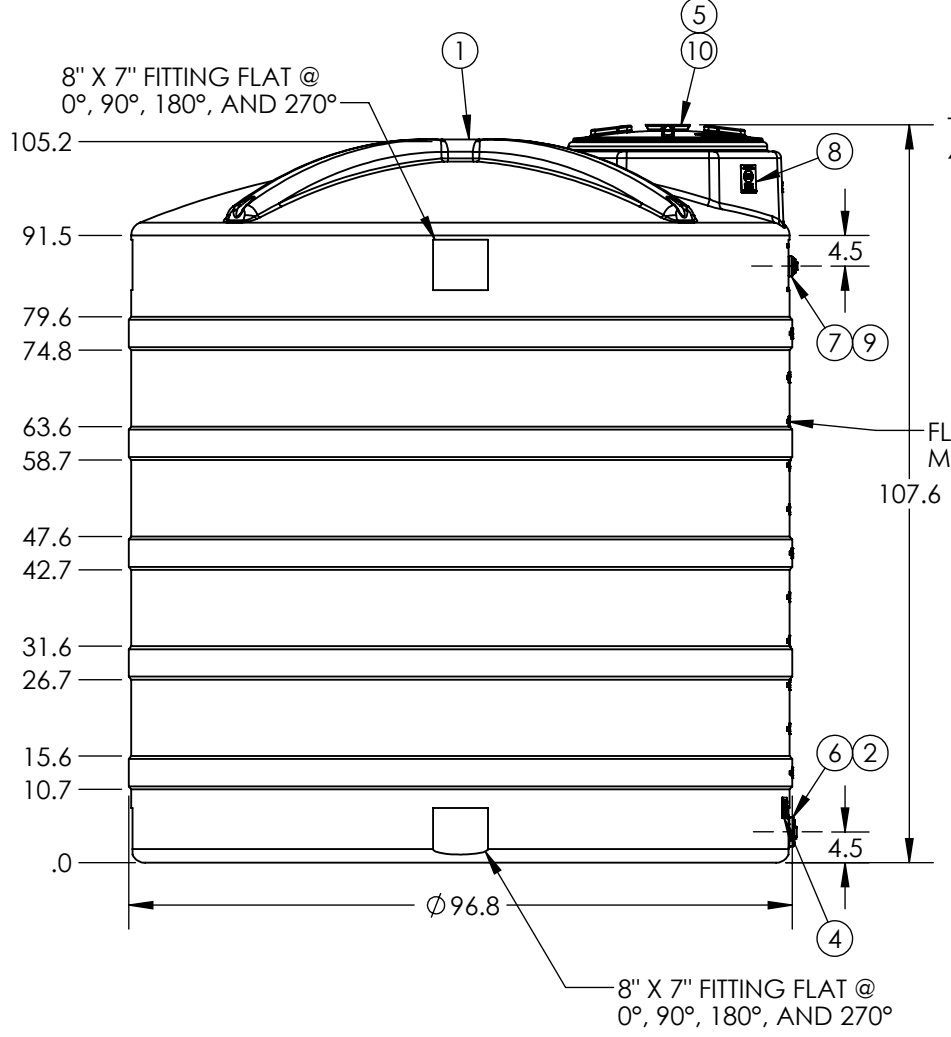


| PART NUMBER | TANK COLOR |
|-------------|------------|
| 32567 | BLACK |
| 32569 | GREEN |
| 32577 | SAND |



*GALLON MARKS CAN BE REMOVED FOR FITTING PLACEMENT AS NECESSARY.

| | | | |
|----|---|----------|--------------------------------|
| 10 | 1 | 64443 | MANWAY 26IN W/VENT R |
| 9 | 1 | 64149 | 1-1/2" NPT PLUG |
| 8 | 1 | 99700231 | DECAL NSF MARK - WATER TKS |
| 7 | 1 | 63931 | FTG PP 1-1/2IN ECO-BH EPDM TXT |
| 6 | 1 | 63683 | FTG 2IN HD BH PP/EPDM |
| 5 | 1 | 61848 | DECAL AG WARNING - LARGE |
| 4 | 1 | 61847 | DECAL AG WARNING - SMALL |
| 3 | 8 | 60081 | SCREW #9 X 1" SS 5"-22" LID |
| 2 | 1 | 60021 | 2" NPT PLUG |
| 1 | 1 | 30347-FW | 3000V X 96 RP FW |

*FITTINGS ARE CENTERED IN BOTTOM FITTING FLATS & FITTING HEIGHTS MAY VARY.
 *ALL EXTERNAL PIPING MUST BE INDEPENDENTLY SUPPORTED.
 *ONLY BASE FITTINGS TO BE LEFT INSTALLED AT TIME OF SHIPMENT PER SII PROCEDURE.
 ALL DIMENSIONS ARE IN INCHES, NOMINAL, & SUBJECT TO CHANGE WITHOUT NOTICE.
 ALL DIMENSIONS ON ROTATIONAL MOLDED PARTS ARE SUBJECT TO A ± 3% TOLERANCE.

| ITEM NO. | PART NUMBER | DESCRIPTION |
|---|-------------|-------------|
| DO NOT SCALE | | DRAWN BY |
| Released | | IGG |
| © SNYDER INDUSTRIES, LLC, 2020 | | |
| ALL DIMENSIONS, DESIGNS, AND INFORMATION ON THIS PRINT MUST BE CONSIDERED PROPRIETARY TO SNYDER INDUSTRIES, LLC, AND MAY NOT BE USED, COPIED, OR DISTRIBUTED WITHOUT WRITTEN PERMISSION OF AN OFFICER (OR HIS AGENT) OF THE FIRM. | | |
| TITLE: | | REVISION |
| 3000 X 96 V WATER R WF | | B |
| PART NO. | | SHEET |
| SEE CHART | | 1 OF 1 |
| ENG. ID. | | A016673 |
| (402) 467-5221 www.snyderemf.com | | |