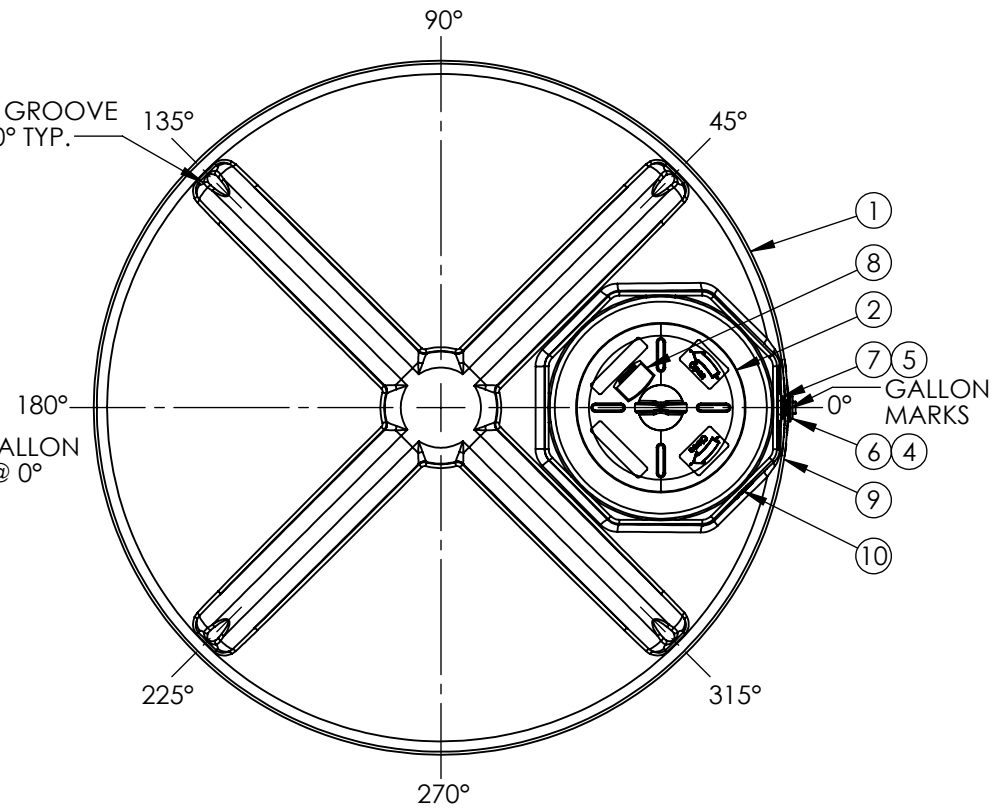
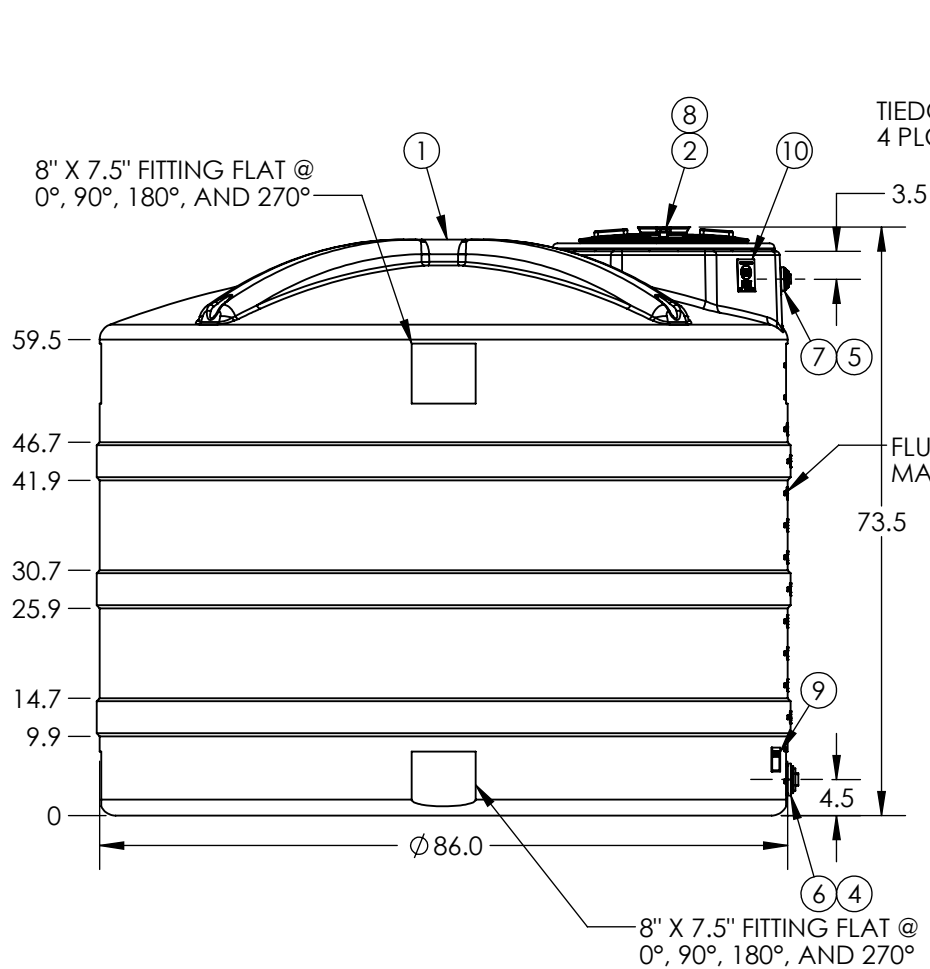


PART NUMBER	TANK COLOR
32547	BLACK
32549	GREEN



10	1	99700231	DECAL NSF MARK - WATER TKS
9	1	61847	DECAL AG WARNING - SMALL
8	1	61848	DECAL AG WARNING - LARGE
7	1	63931	FTG PP 1-1/2IN ECO-BH EPDM TXT
6	1	60405	FTG PP 2IN BH EPDM TXT
5	1	64149	1-1/2" NPT PLUG
4	1	60021	2" NPT PLUG
3	8	60081	SCREW #9 X 1" SS 5"-22" LID
2	1	64448	MANWAY 20IN W/VENT R
1	1	30343-FW	1600V X 86 RP FW

*FITTINGS ARE CENTERED IN BOTTOM FITTING FLATS & FITTING HEIGHTS MAY VARY.
 *ALL EXTERNAL PIPING MUST BE INDEPENDENTLY SUPPORTED.
 *ONLY BASE FITTINGS TO BE LEFT INSTALLED AT TIME OF SHIPMENT PER SII PROCEDURE.
 ALL DIMENSIONS ARE IN INCHES, NOMINAL, & SUBJECT TO CHANGE WITHOUT NOTICE.
 ALL DIMENSIONS ON ROTATIONAL MOLDED PARTS ARE SUBJECT TO A ± 3% TOLERANCE.

ITEM NO.	QTY.	PART NUMBER	DESCRIPTION
DO NOT SCALE		DRAWN BY	REVISION
Released		IGG	B
© SNYDER INDUSTRIES, LLC, 2020			TITLE: 1600 V WATER R WF
ALL DIMENSIONS, DESIGNS, AND INFORMATION ON THIS PRINT MUST BE CONSIDERED PROPRIETARY TO SNYDER INDUSTRIES, LLC, AND MAY NOT BE USED, COPIED, OR DISTRIBUTED WITHOUT WRITTEN PERMISSION OF AN OFFICER (OR HIS AGENT) OF THE FIRM.			SHEET 1 OF 1
PART NO. SEE CHART		ENG. ID. A018652	

(402) 467-5221
www.snydernet.com

