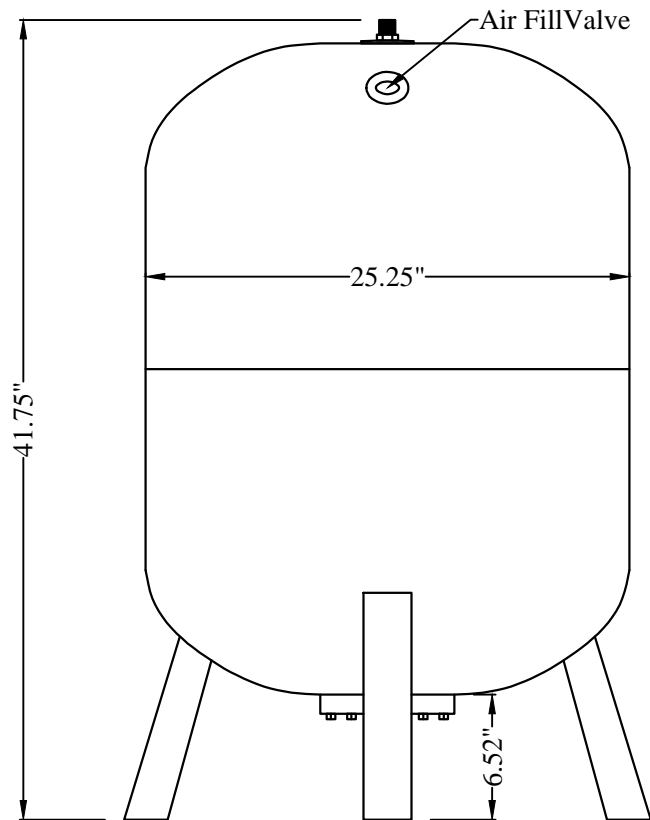



Top View



Side View

RainFlo Pressure Tank	
Model No.	RF-52.8V
Size	52.8 Gallon/ 200L
Diaphragm Type	Butyl
Material	Steel
Mounting	Vertical
Maximum Working pressure:	116 psi
Maximum Drawdown	21 Gallons
Inlet/Outlet size:	1" MNPT
Max/ Min Temp	Max 180 / Min 32 Degrees Fahrenheit
Dry Weight:	66 lbs
Precharge	35 psi
Dimensions: D x H	25.25" x 41.75"
Warranty:	1 Year
Color:	Blue

NOTE: This drawing is for illustrative purposes only. Actual systems and designs may vary. Always check with local building codes as they will apply. Electrical work to be performed by licensed professional. Points of use shall be labeled as: "Non Potable water, Do Not Drink!"

CHK BY:	APP BY:	DRAWN BY: CMG	QUOTE NO.:	SH.# 1 OF 1
RainFlo 52.8 Gallon Pressure Tank				
		RainHarvest Systems LLC. 6075 Parkway North Drive Suite D Cumming, GA 30040 Tel: 770-889-2533 Fax: 770-889-2577		