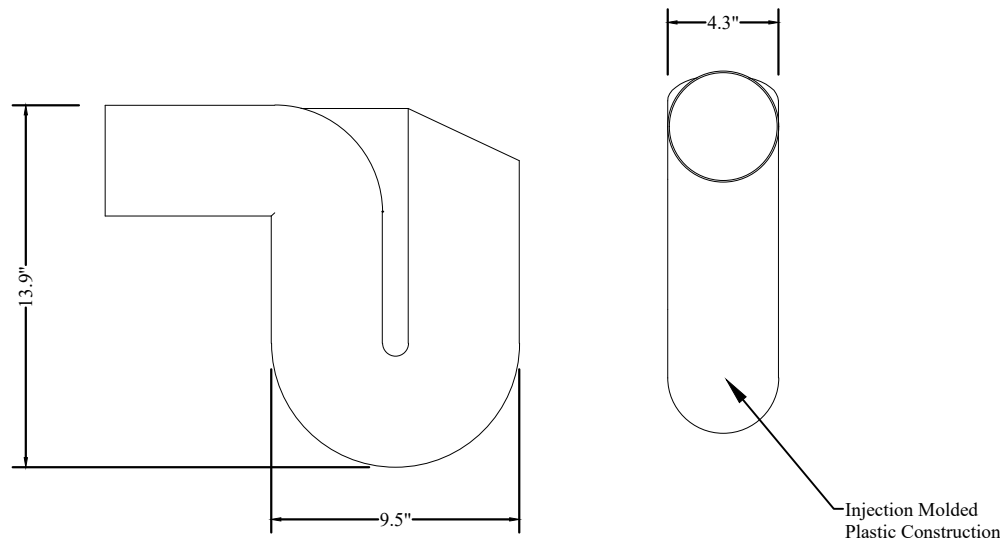
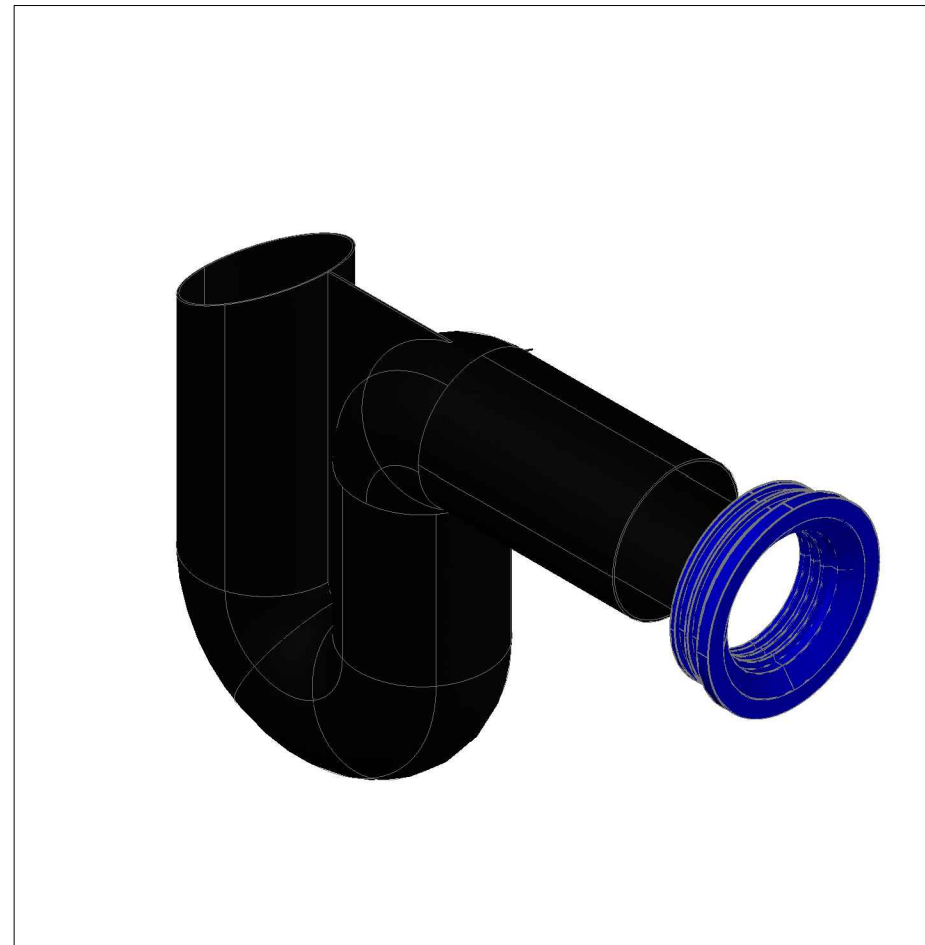


Typical Installation



Dirt particles that are lighter than water (e.g. pollen & dust) settle on the water surface as a floating layer. This floating layer is removed when the tank overflows by means of the overflow siphon in the tank. Also aids in mosquito prevention.



NOTE: This drawing is for illustrative purposes only. Actual systems and designs may vary. Always check with local building codes as they will apply. Electrical work to be performed by licensed professional. Points of use shall be labeled as: "Non Potable water, Do Not Drink!"

CHK BY:	APP BY:	DRAWN BY CMG	QUOTE NO. .	SH.# 1 OF 1
---------	---------	-----------------	----------------	----------------

### Graf 4" Overflow Siphon



RainHarvest Systems LLC.  
4475 Alicia Lane  
Cumming, GA 30028  
Tel: 770-889-2533 Fax: 770-889-2577