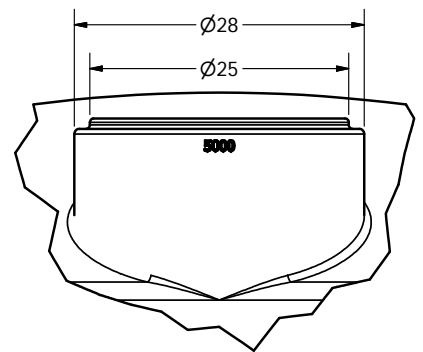
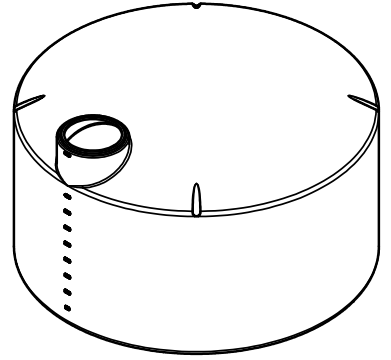



REVISION HISTORY			
REV	DESCRIPTION	DATE	AUTHOR
A	REVISED MANWAY FOR 22 LID	8/10/2009	Jerry Paulson



DETAIL A  
SCALE 1/12

DRAWN Jerry Paulson	8/10/2009	 <b>NORWESCO</b> NORWESCO, INC., ST. BONIFACIUS, MN TITLE 5000 GALLON X 141 DIAMETER VERTICAL WATER TANK	SIZE B	DWG NO	REV A
CHECKED			SCALE: 1/16		
QA			SHEET 1 OF 1		
MFG					
APPROVED					