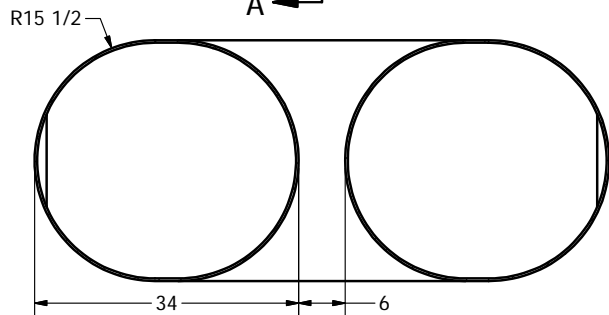
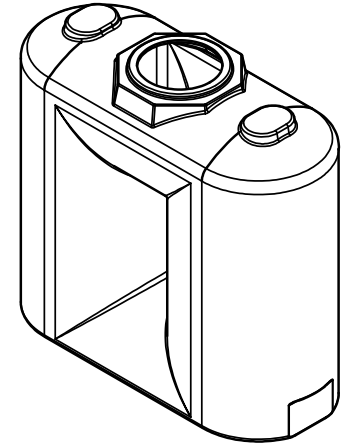


SECTION A-A
SCALE 1/16



SECTION B-B
SCALE 1/16

DRAWN	Jerry Paulson	7/16/2010
CHECKED		
QA		
MFG		
APPROVED		



NORWESCO, INC., ST. BONIFACIUS, MN

TITLE

500 GALLON FREE STANDING WATER TANK

SIZE	DWG NO	REV
B		
SCALE: 1/16	SHEET 1 OF 1	