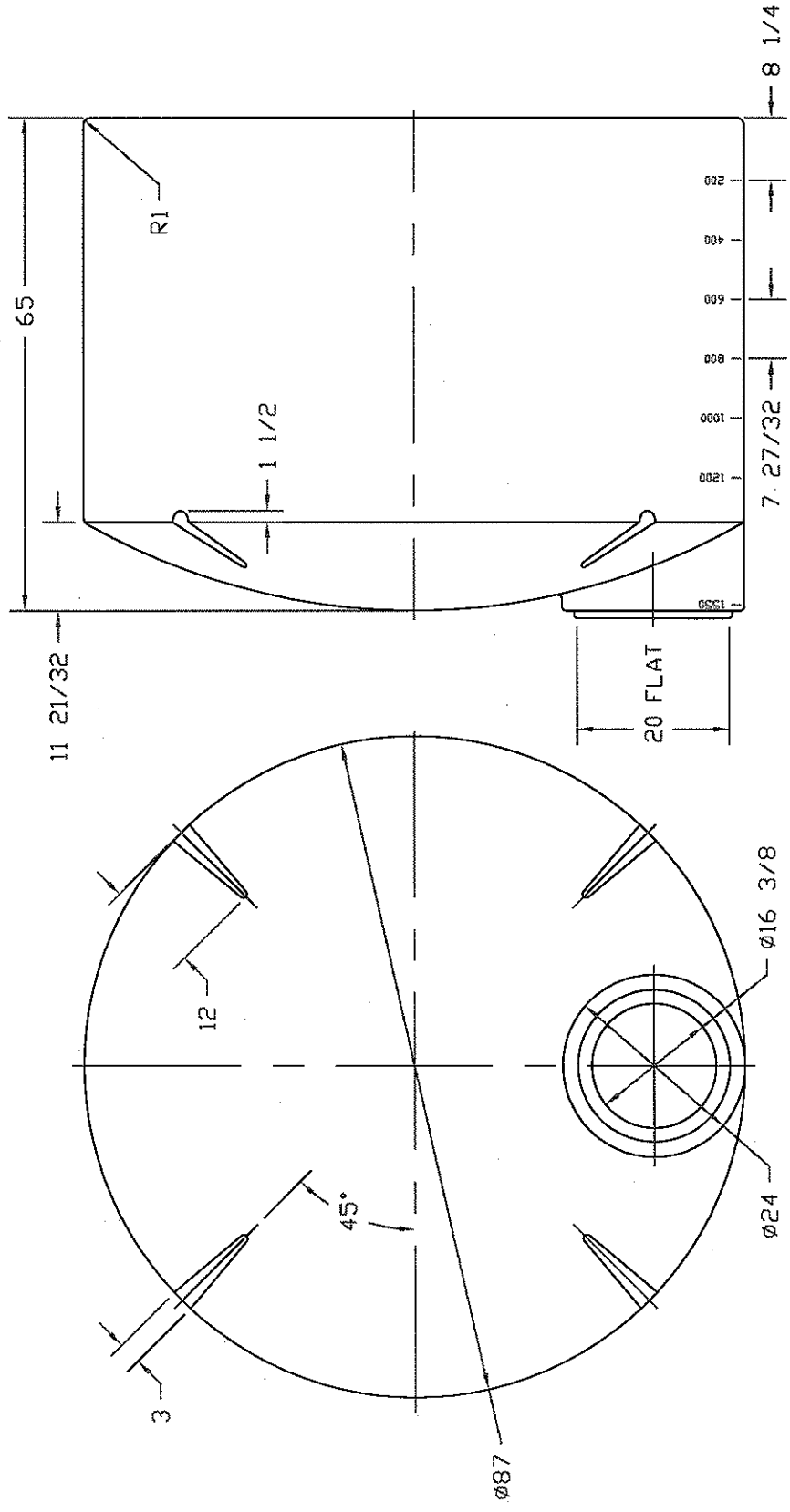


REVISIONS		
ZONE	REV	DESCRIPTION
	A	REDRAWN
		DATE
		02 JAN 97
		APPROVED



NORWESCO		ST. BONIFACIUS, MN	
1550 GALLON VERTICAL TANK		SIZE	FSCM NO.
JTP 02JAN97		B	
		DWC NO.	
		SCALE	1/16
		SHEET	