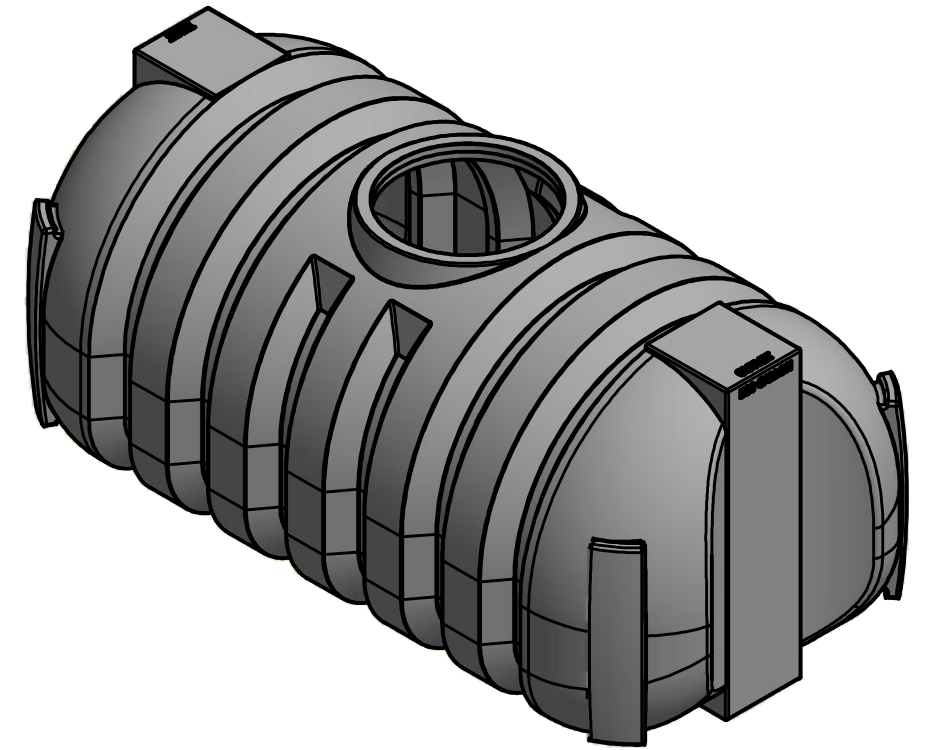
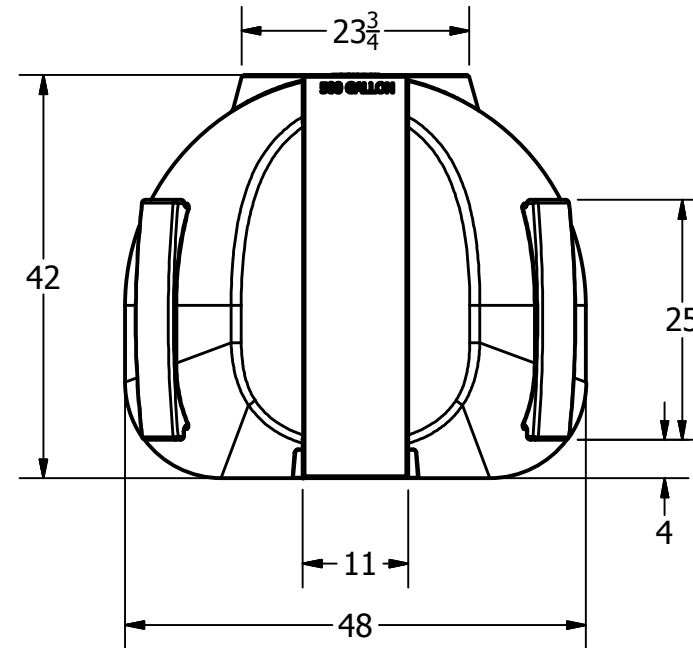
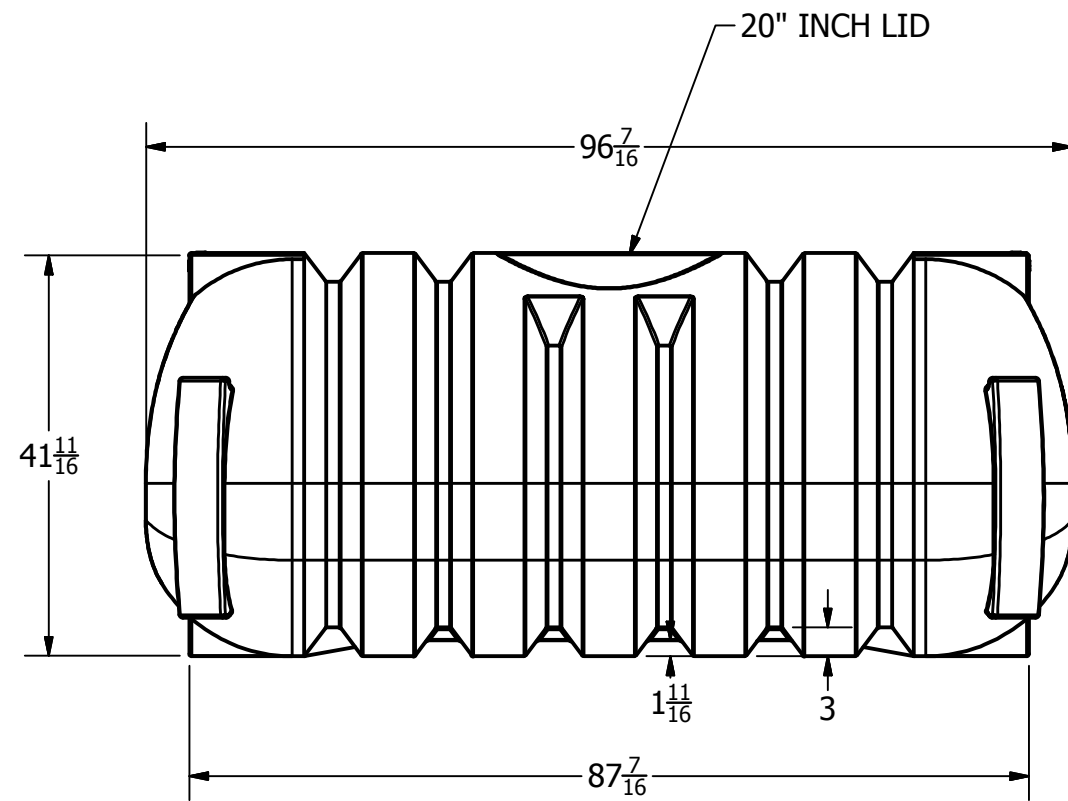



MATERIAL: HIGH-DENSITY POLYETHYLENE  
 NSF 61 LISTED  
 575 US GALLONS WORKING CAPACITY



ALL DIMENSIONS ARE IN INCHES, NOMINAL, AND SUBJECT TO CHANGE WITHOUT NOTICE.  
 ALL DIMENSIONS ON ROTATIONALLY MOLDED PARTS ARE SUBJECT TO A ±3% TOLERANCE

DRAWN Todd Bolzer	6/2/2009	 NORWESCO, INC., ST. BONIFACIUS, MN		
CHECKED		TITLE		
QA		575 LOW PROFILE CISTERN		
MFG				
APPROVED				
		SIZE B	DWG NO 44360	REV C
		SCALE: 1/16	SHEET 1 OF 1	