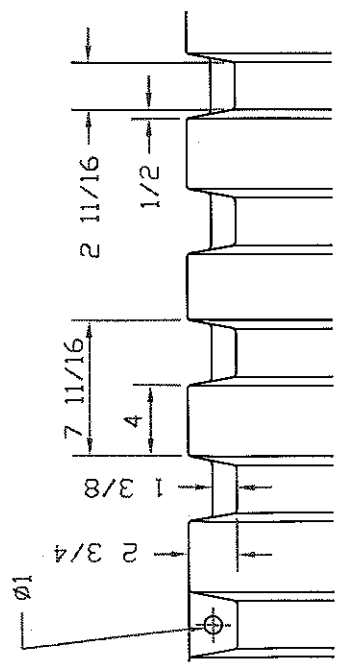
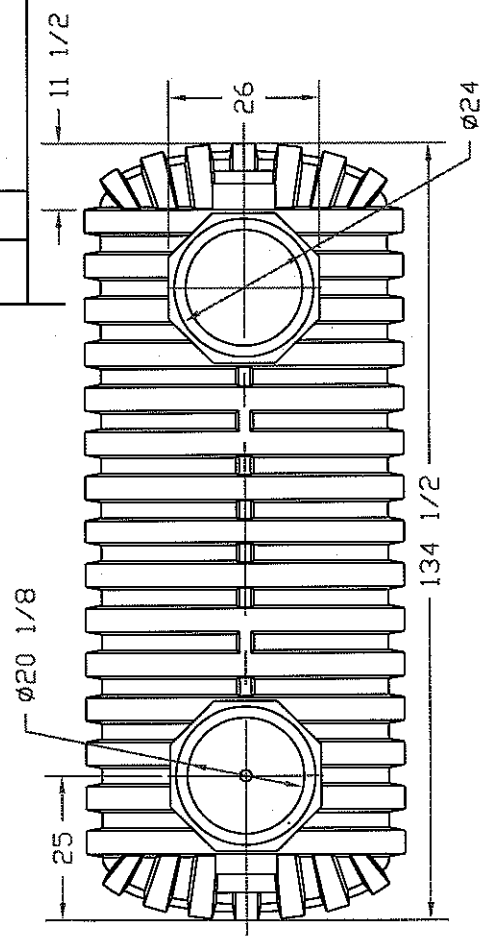


REVISIONS		DATE	APPROVED
ZONE	REV	DESCRIPTION	

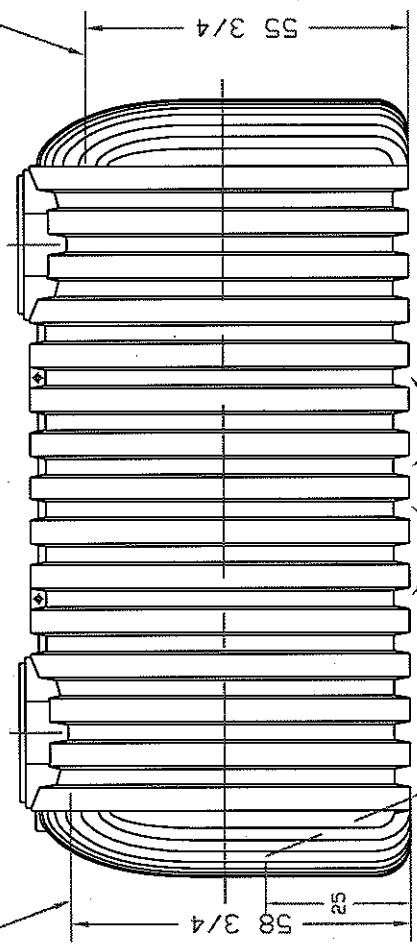
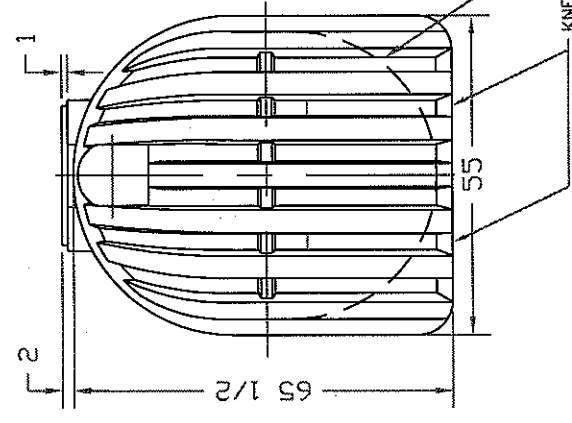


RIB DIMENSIONS
1/8 SCALE



INLET CENTERLINE

OUTLET CENTERLINE



FULL CIRCLE RIBS
 KNEE RIBS HERE
 MIDPOINT OF CROSS RIB

NORWESCO
 ST. BONIFACIUS, MN

1500 GALLON SEPTIC TANK

JTP	18MAY00	SIZE B	FSCM NO.	DWG NO.	REV
		SCALE 1/24		SHEET	