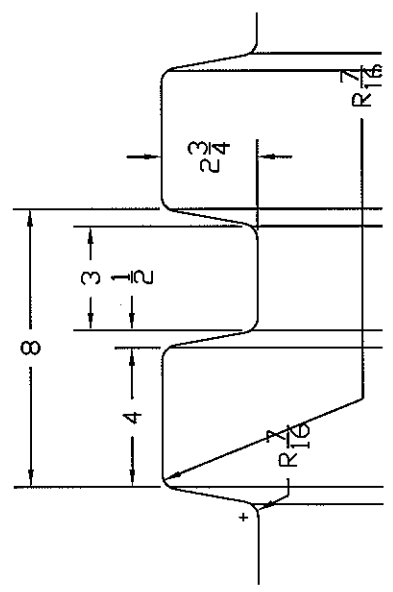
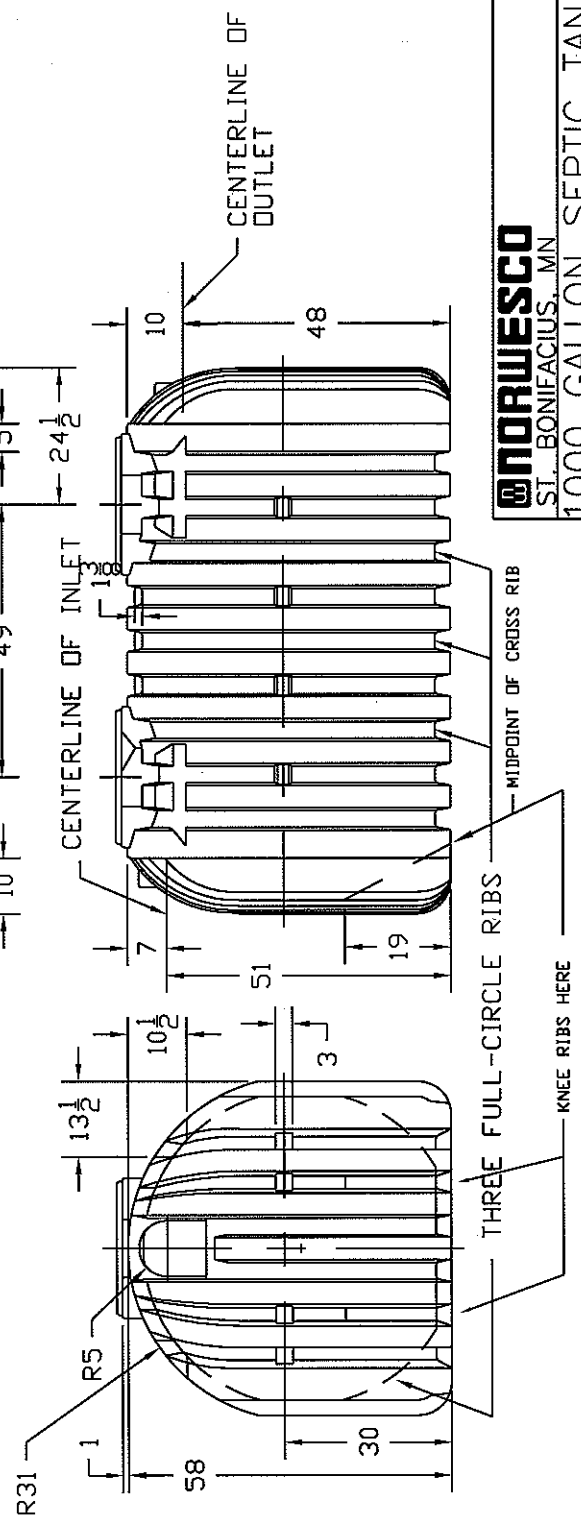
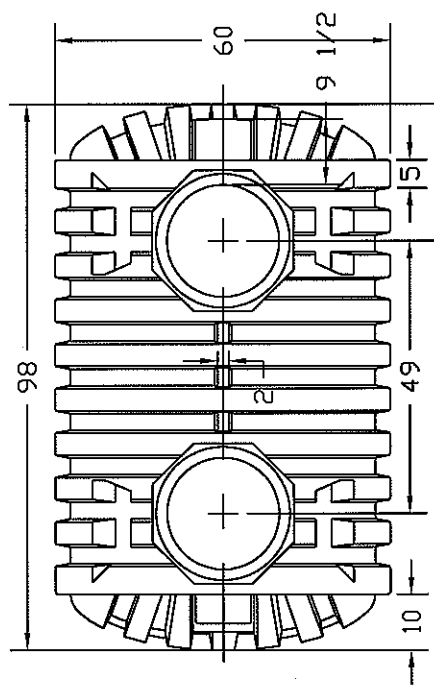


REVISIONS		DESCRIPTION	DATE	APPROVED
ZONE	REV			
	C	REDRAWN, DIMS UPDATED	17FEB97	



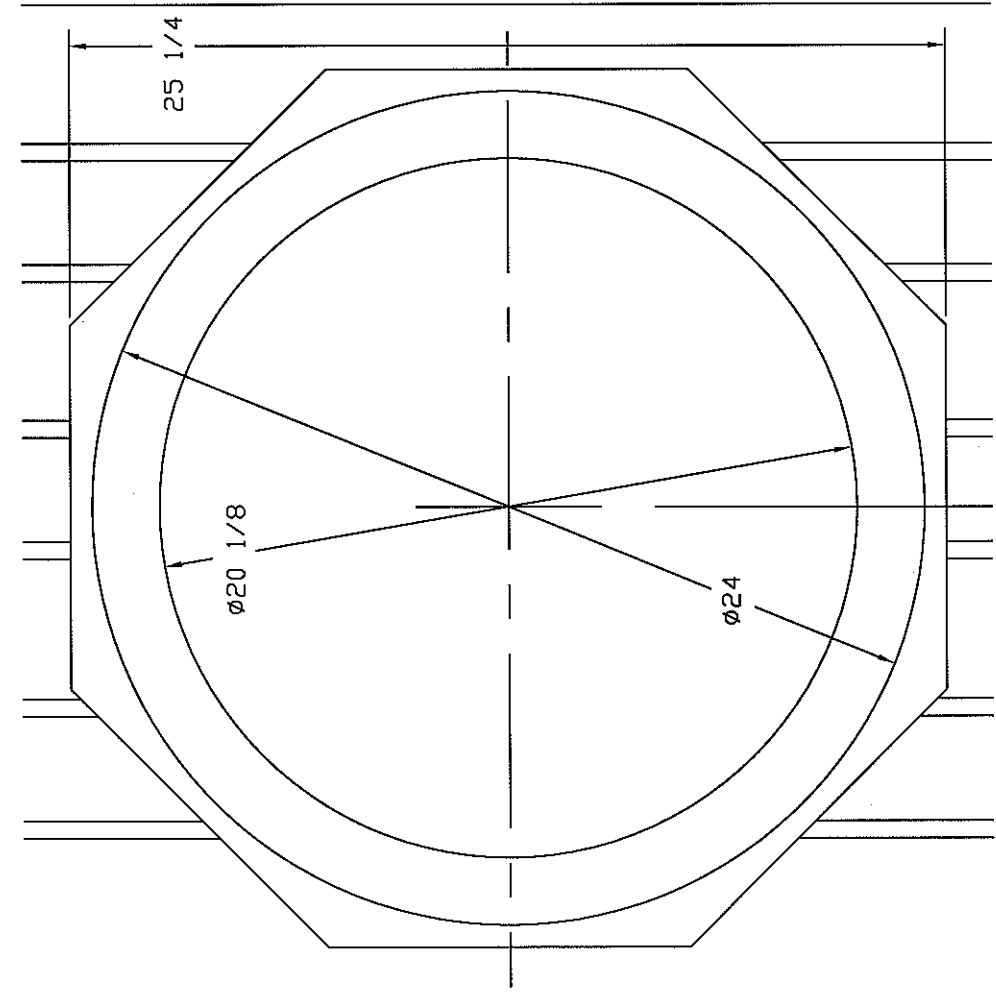
RIB DETAIL 1/4 SCALE



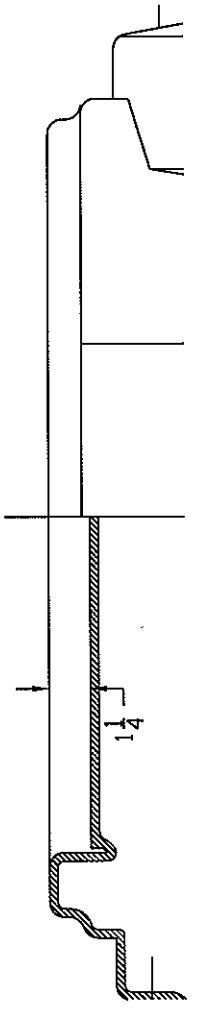
NORWESCO
ST. BONIFACIUS, MN
1000 GALLON SEPTIC TANK

JTP	17FEB97	SIZE	FSCM NO.	DWG NO.	REV
		B			C
			SCALE 1/24		SHEET 1 OF 2

REVISIONS			
ZONE	REV	DESCRIPTION	DATE
	C	REDRAWN, DIMS UPDATED	17FEB97



MANHOLE DETAIL, 1/4 SCALE



NORWESCO
ST. BONIFACIUS, MN

1000 GALLON SEPTIC TANK

JTP	17FEB97	SCALE 1/4"	SHEET 1 OF 2
		SIZE B	
		FSCM NO.	DWG NO.
		REV C	