



SCALA1



<http://qr.grundfos.com/i/99735528>

be
think
innovate

GRUNDFOS 



PN8:
Max. 8 bar / 0.8 MPa



- Voltage and frequency
- Ambient temperature



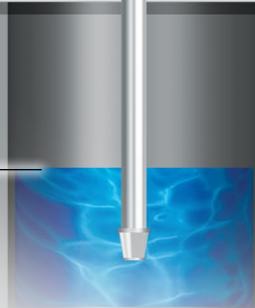
Min./Max.
0 °C - + 45 °C /
32 °F - + 113 °F

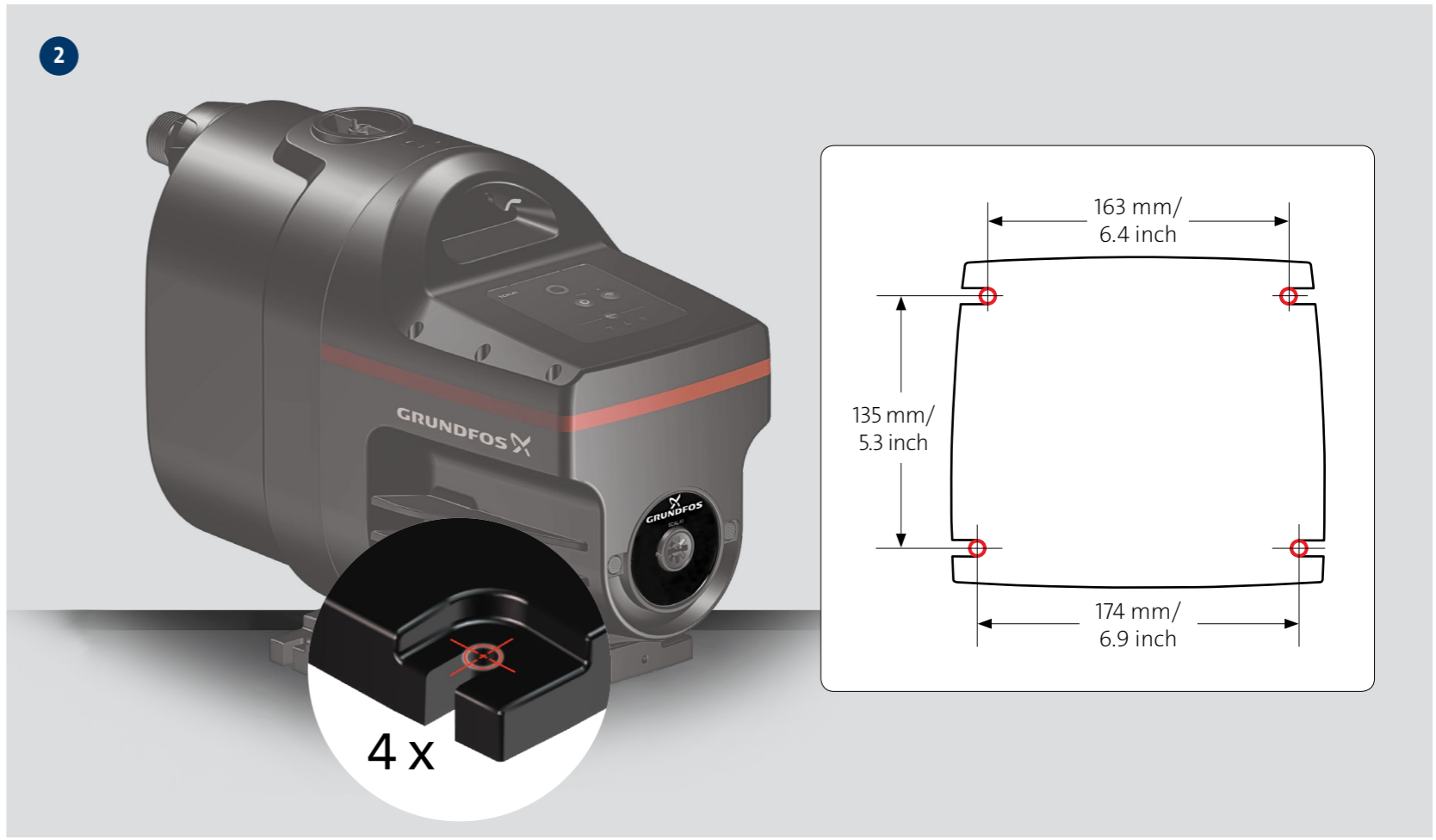
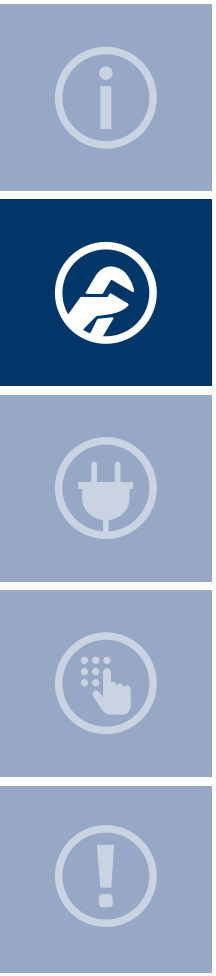


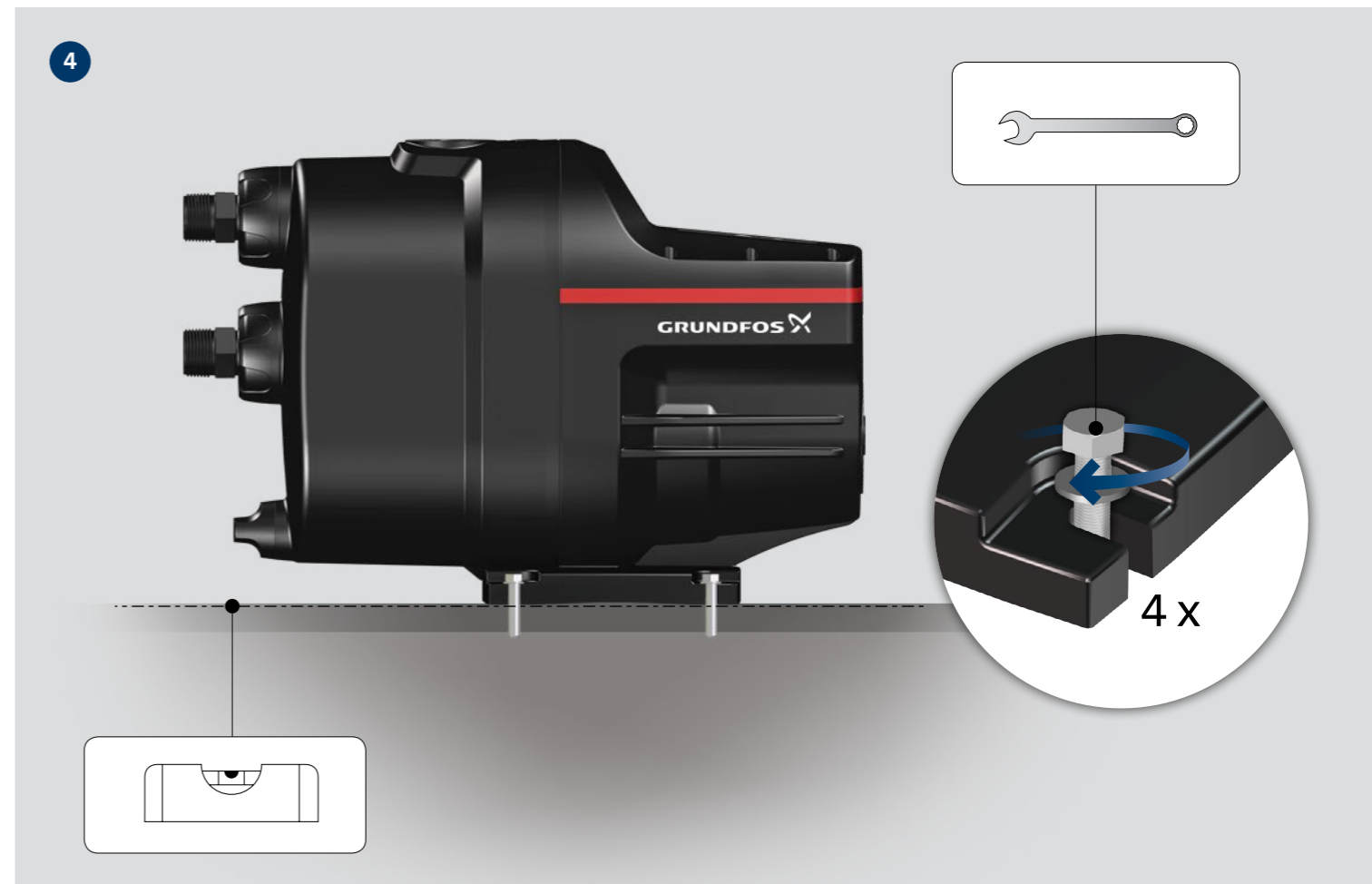
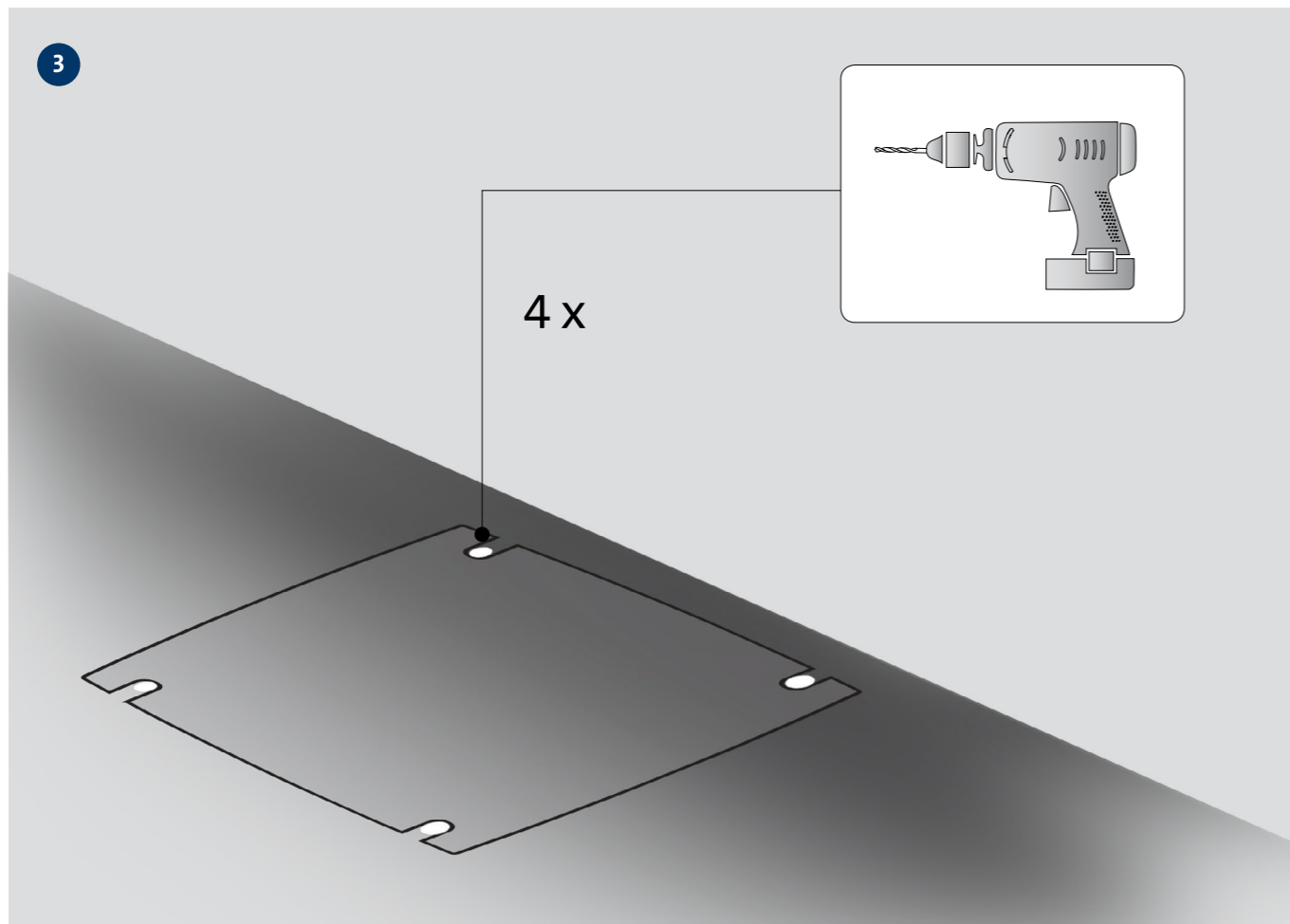
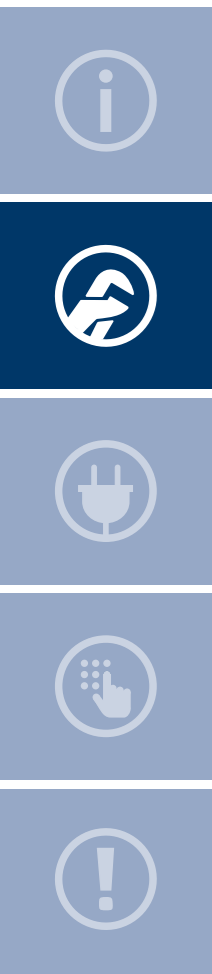
SCALA1 3-25	10 m / 32 ft
SCALA1 3-35	15 m / 49 ft
SCALA1 3-45	20 m / 65 ft
SCALA1 5-25	10 m / 32 ft
SCALA1 5-55	25 m / 82 ft

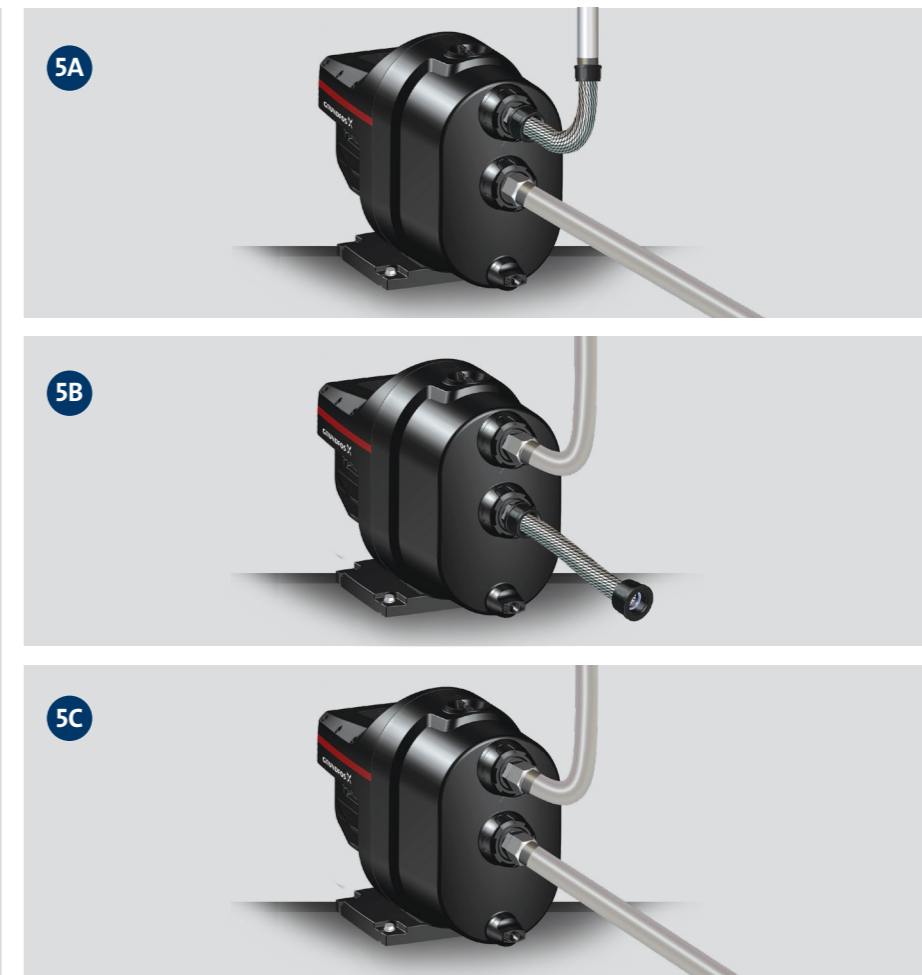
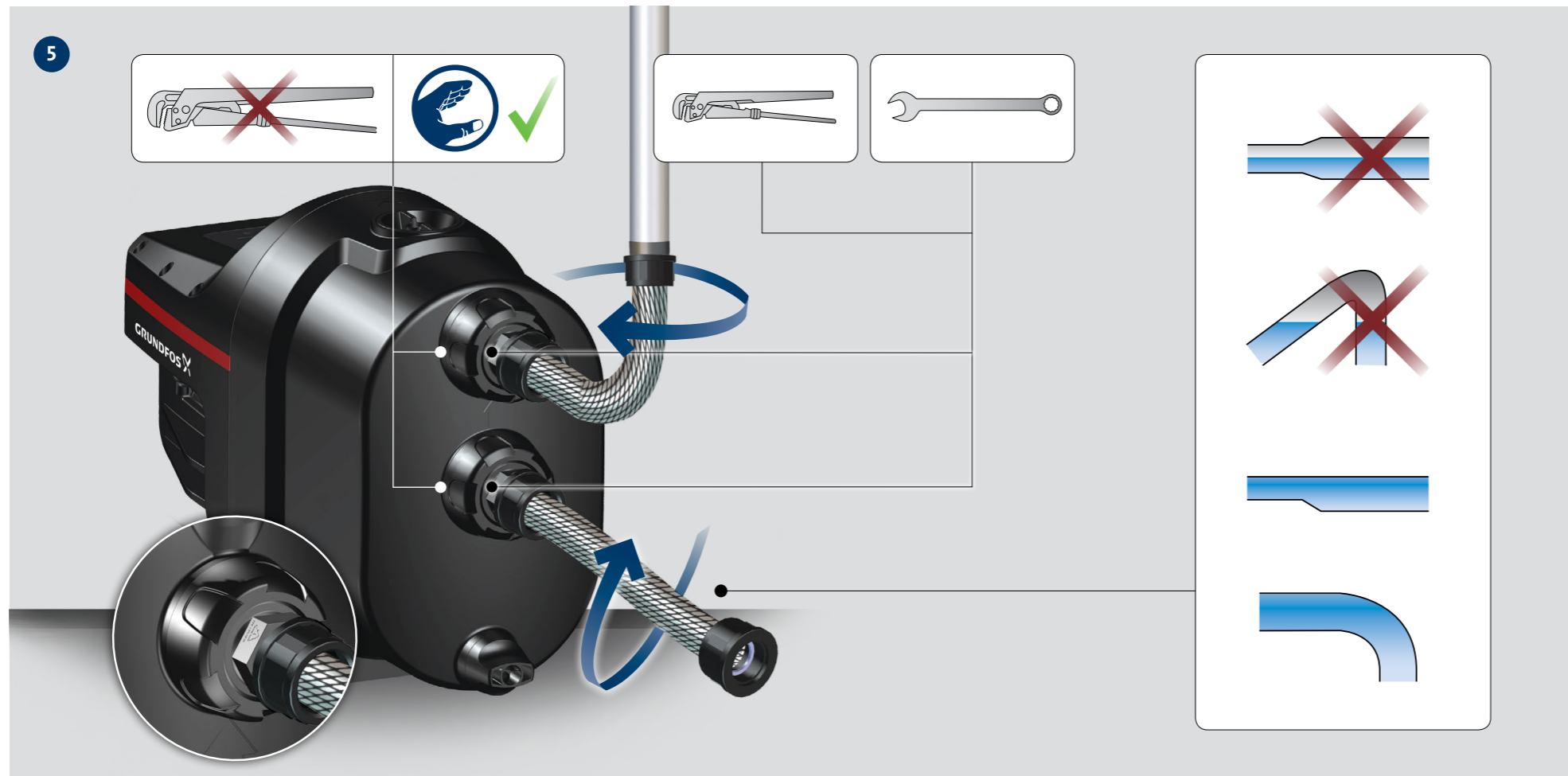
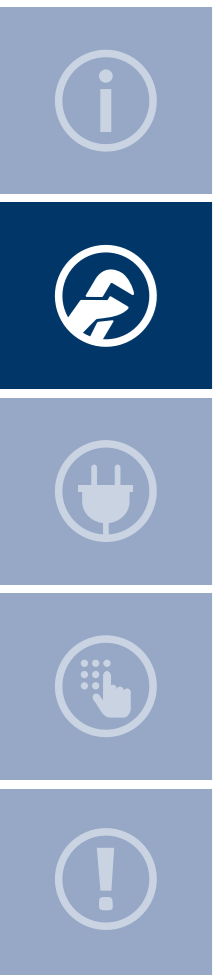
- 3-25 Max. 5 bar / 72.5 PSI / 0.5 MPa
- 3-35 Max. 4 bar / 58 PSI / 0.4 MPa
- 3-45 Max. 3 bar / 43.5 PSI / 0.3 MPa
- 5-25 Max. 5 bar / 72.5 PSI / 0.5 MPa
- 5-55 Max. 2 bar / 29 PSI / 0.2 MPa

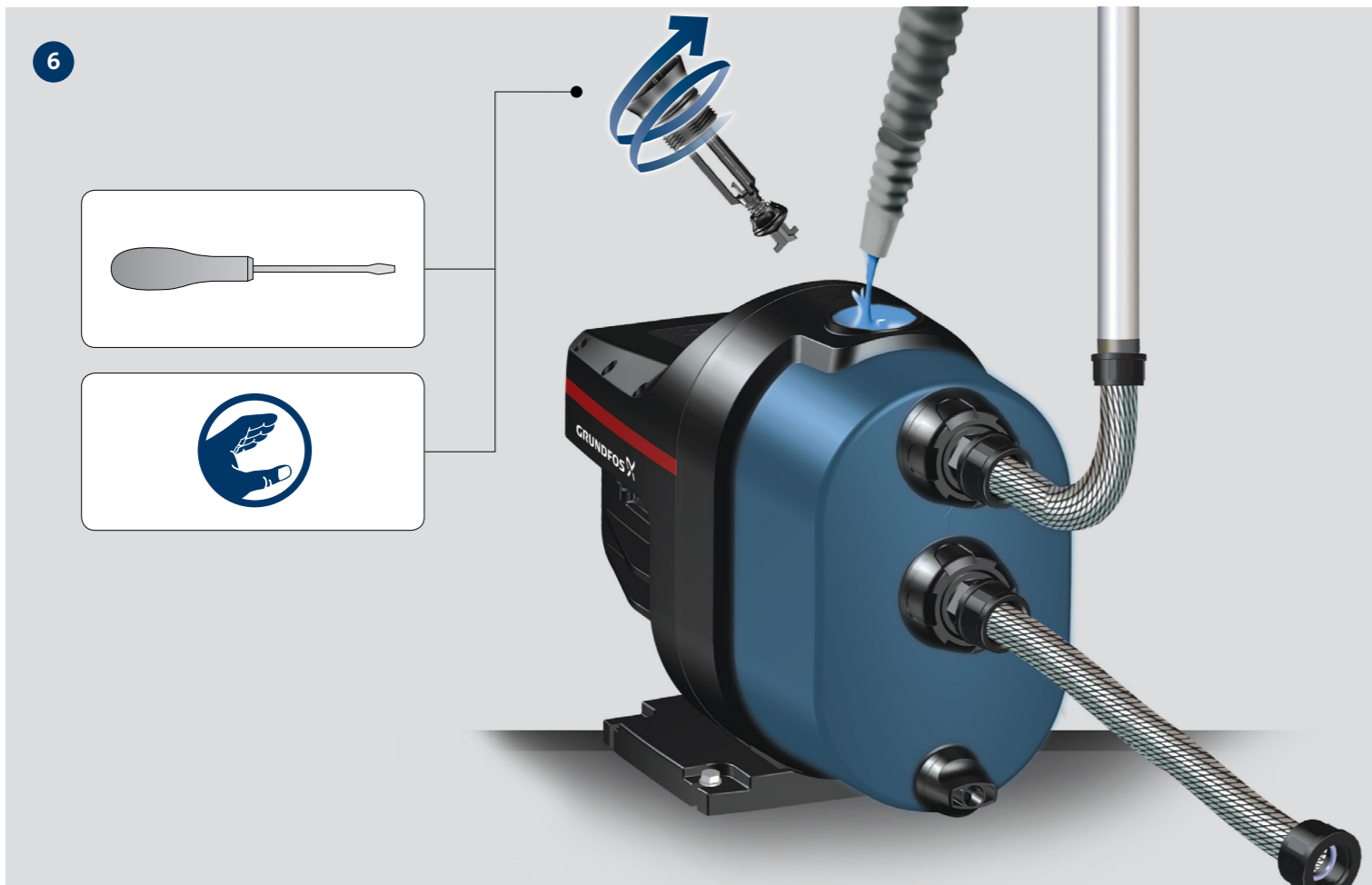
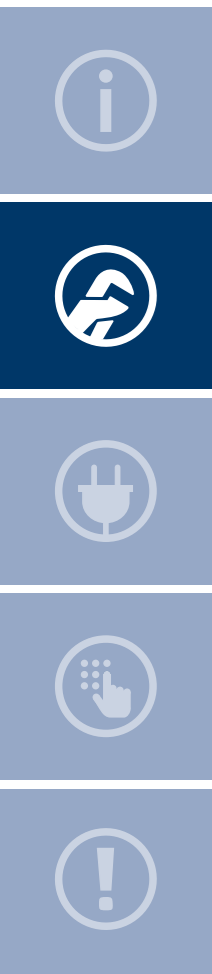
Max. 8 m / 26 ft

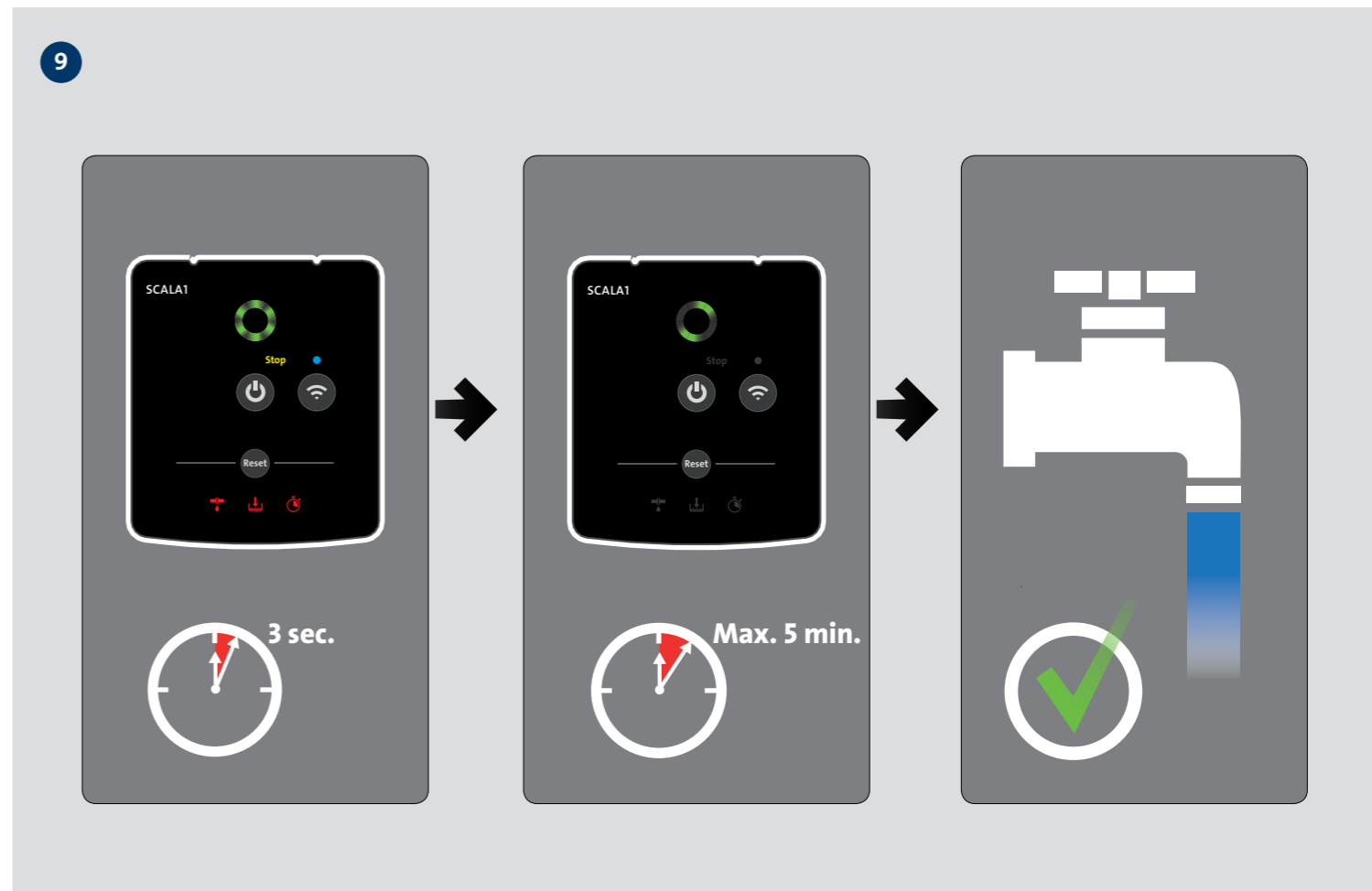
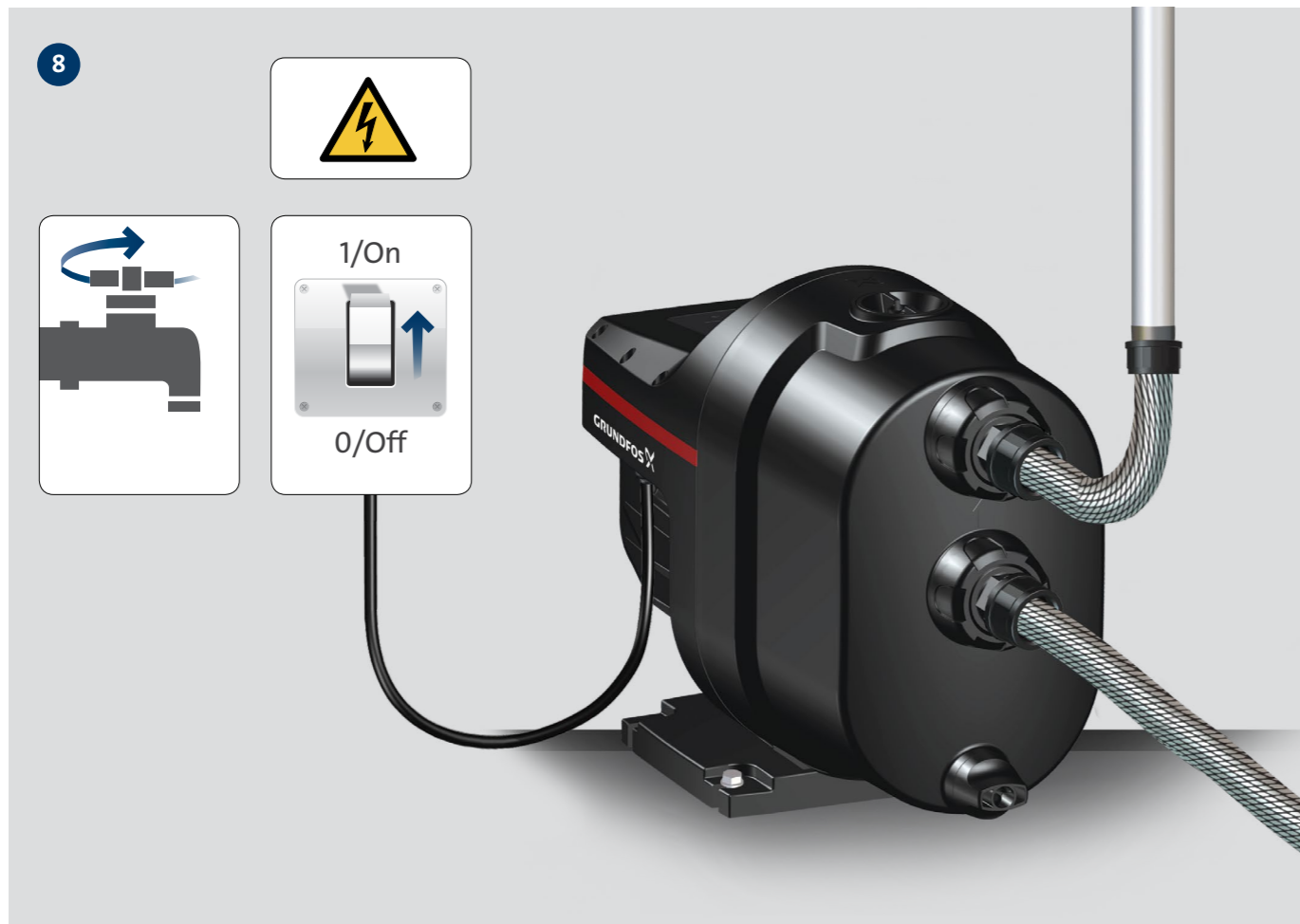
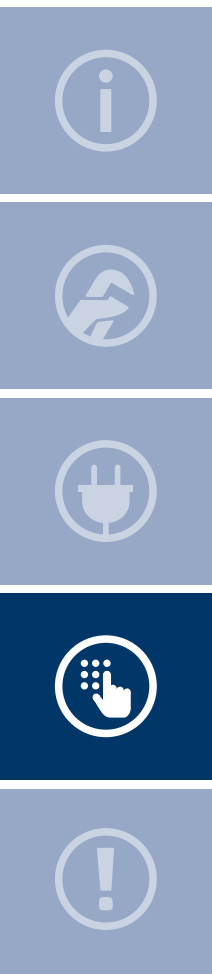


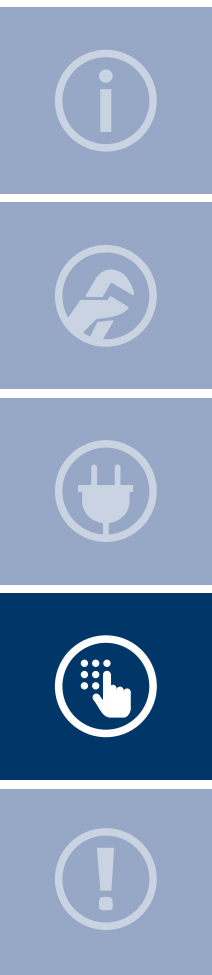


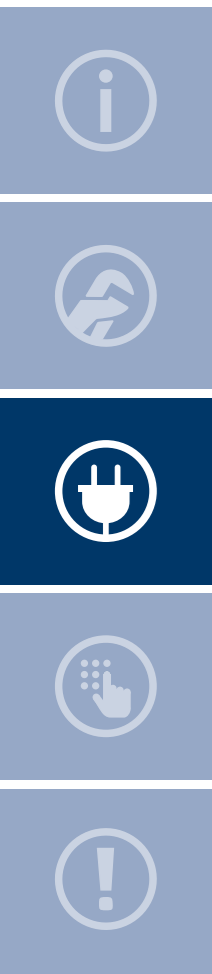


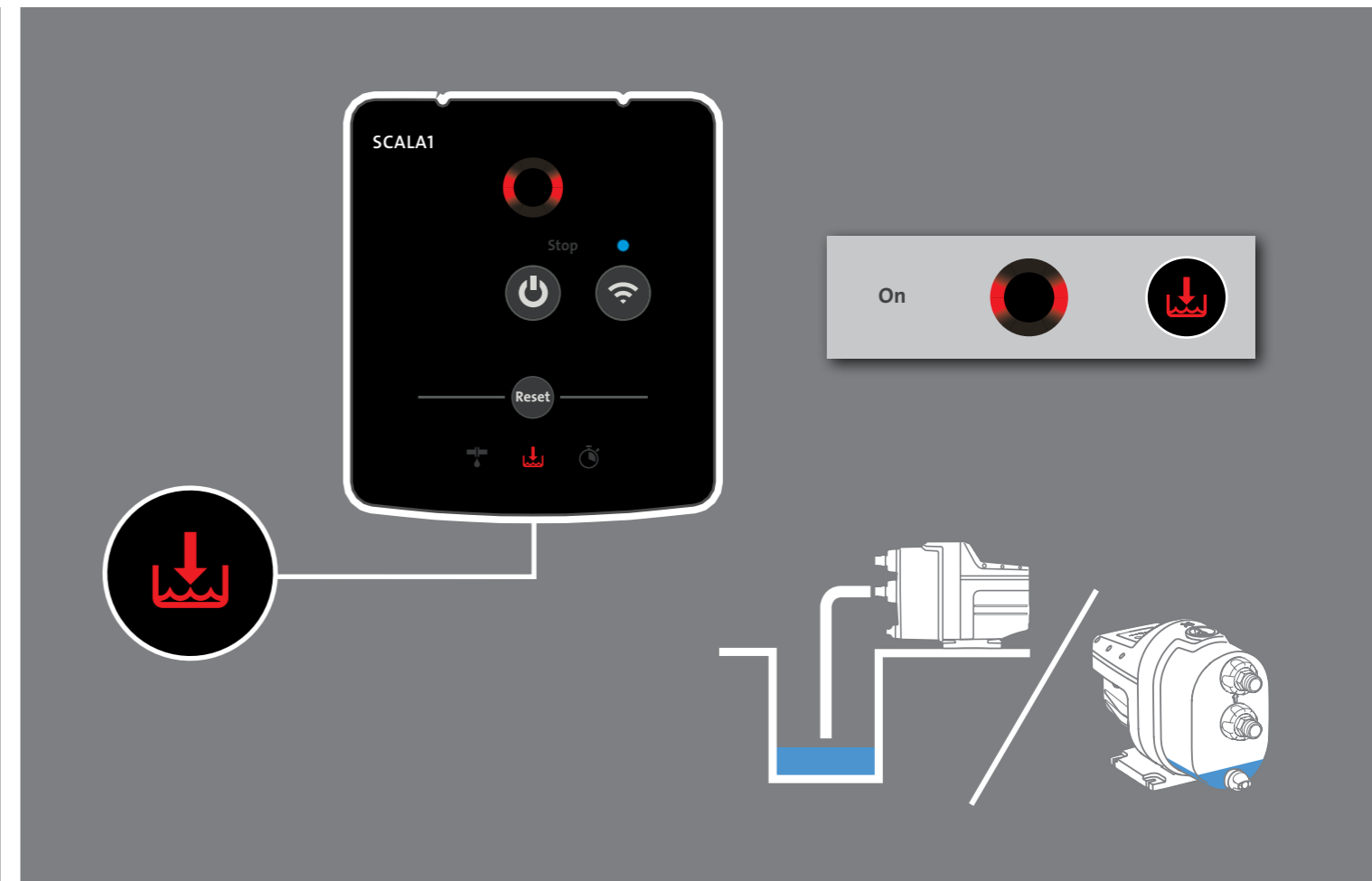
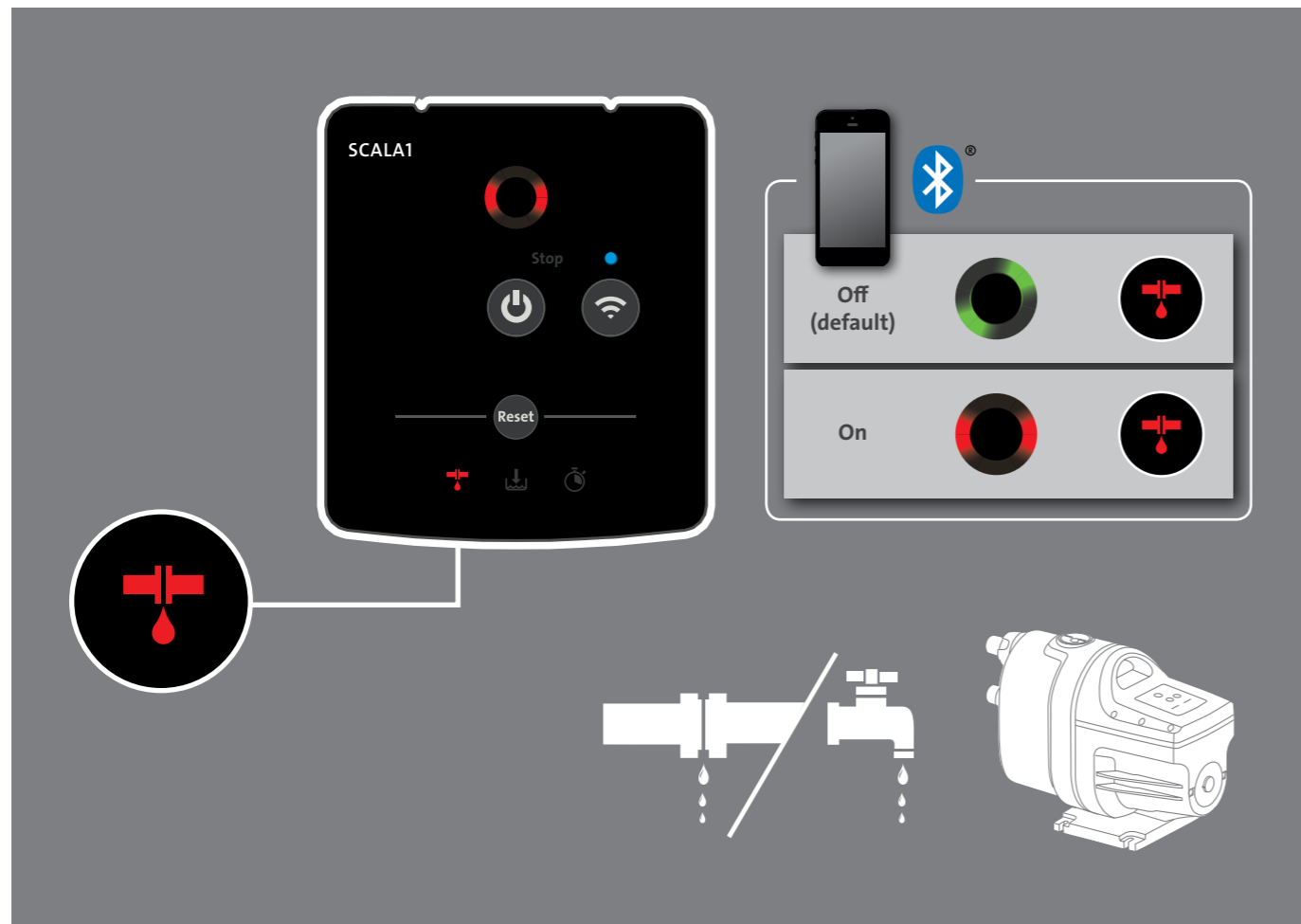
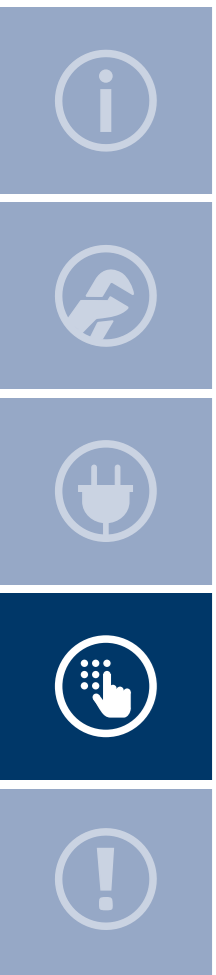


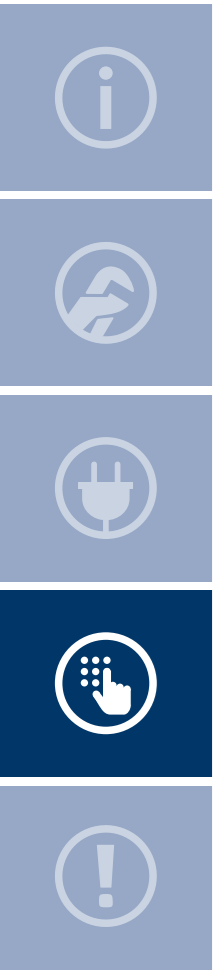












SCALA1

Stop

Reset

Off (default)

On

Bluetooth

Water tap icon

Water flow icon

The image shows the SCALA1 control panel with a smartphone interface. The panel has a red progress indicator, a 'Stop' button, a power button, a Wi-Fi icon, and a 'Reset' button. The smartphone interface shows a Bluetooth connection, a green progress indicator for 'Off (default)' and a red progress indicator for 'On'. Below the panel, a water tap icon is shown with an arrow pointing to a circular icon representing water flow.

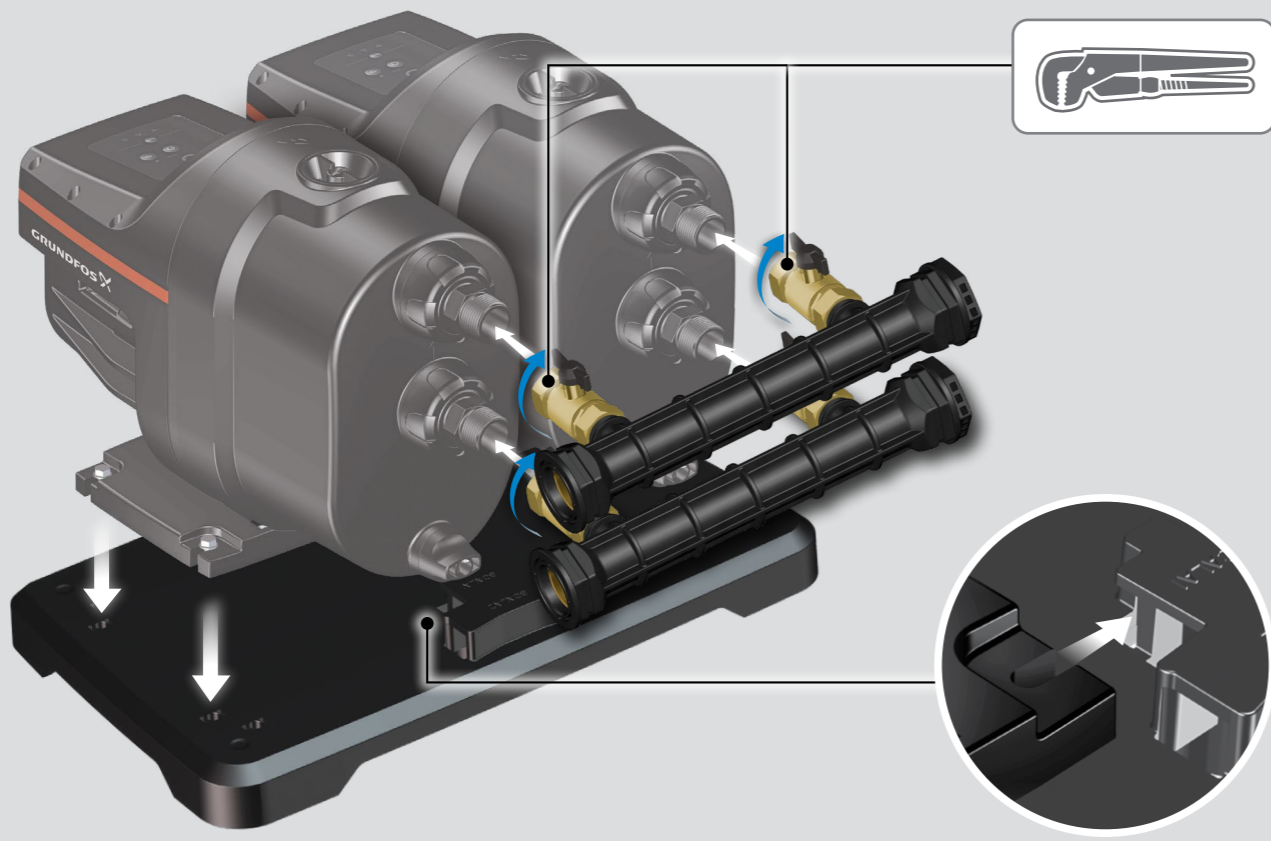
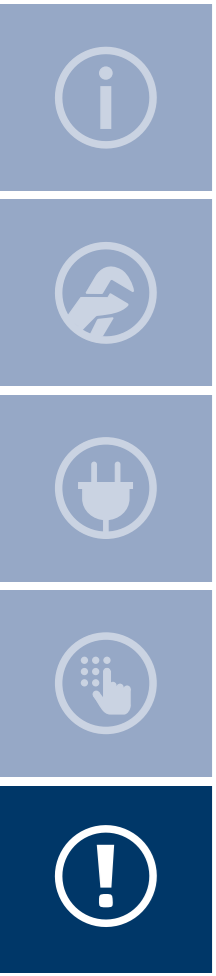
GRUNDFOS

GRUNDFOS

QR code

<http://qr.grundfos.com/i/99735528>

The image shows a black Grundfos pump unit with a red stripe. Above the unit is a control panel with three red icons: a plus sign with a drop, a crown with a drop, and a timer. Below the unit is a QR code and a URL.



PN: 99725165 Rp
PN: 99725168 NPT

<http://qr.grundfos.com/i/99735528>

be think innovate

99735558 0919

ECM: 1269737

GRUNDFOS Holding A/S
Poul Due Jensens Vej 7
DK-8850 Bjerringbro
Tel: +45 87 50 14 00
www.grundfos.com

GRUNDFOS 

Trademarks displayed in this material, including but not limited to Grundfos, the Grundfos logo and "be think innovate", are registered trademarks owned by The Grundfos Group. All rights reserved.
© 2019 Grundfos Holding A/S, all rights reserved.