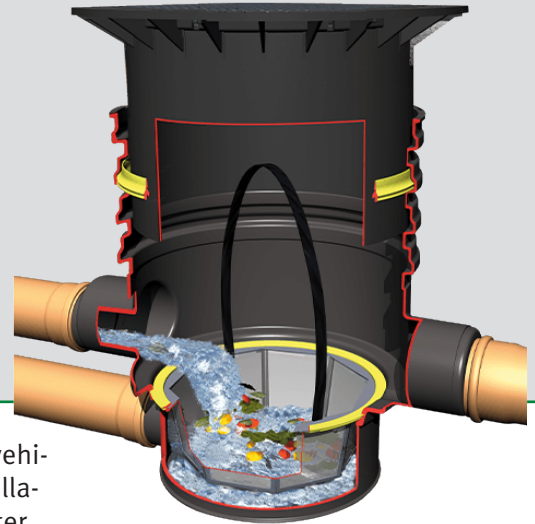


HIGH EFFICIENCY. MAXIMUM WATER YIELD. WATER FILTRATION.



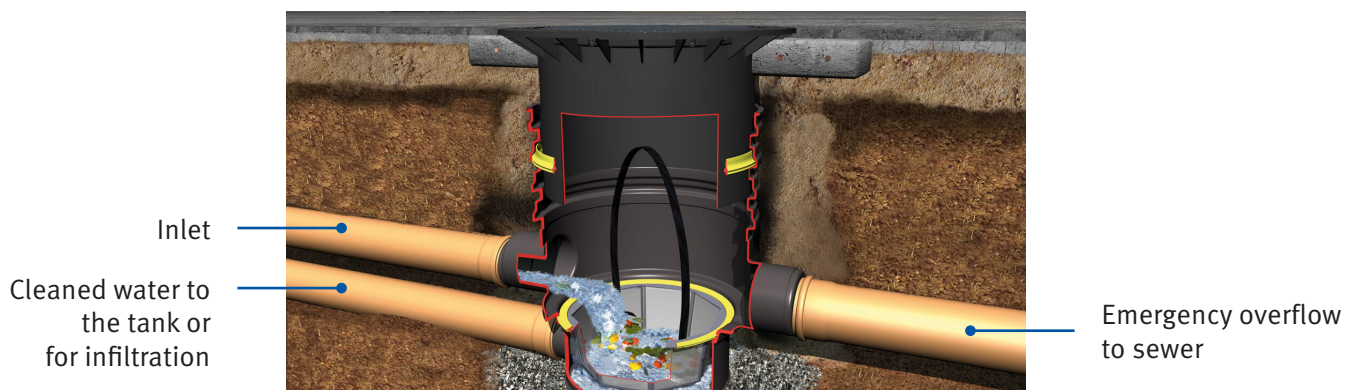
GRAF industrial basket filters are available in two models, pedestrian and vehicle loading, to meet the demands of commercial rainwater harvesting installations. The filters are designed for maximum water yield in high flow rainwater collection environments. GRAF industrial basket filters provide a highly efficient solution for medium and large commercial rainharvesting installations where 100% water yield is required.

Features:

- 6" and 8" dual size connections
- Variable installation depth from 31"-47"
- Flush installation at ground level
- 10.6" height offset between inlet and outlet
- .01" (0.35mm) mesh sieve
- Lockable childproof cover
- Suitable for percolation and pond systems
- Easy-to-clean stainless steel basket
- Cast iron lid (vehicle loading model only)

ORDERING INFORMATION

| Model | Description |
|--------|---|
| 340050 | Industrial basket filter, pedestrian |
| 340051 | Industrial basket filter, vehicle loading |



SPECIFICATIONS

| Model | 340050 / 340051 |
|-------------|-----------------|
| Flow Rate | 467.58 GPM |
| Water Yield | 100% |

DIMENSIONS

