



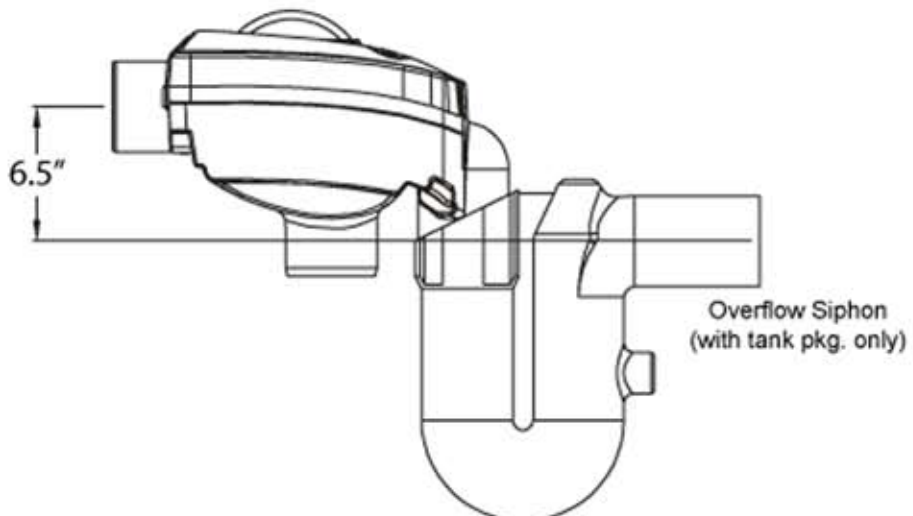
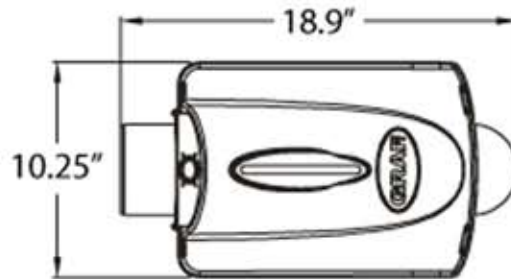
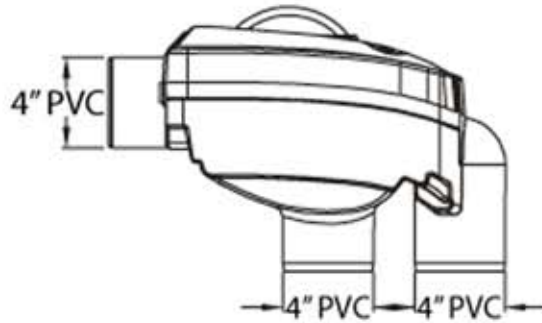
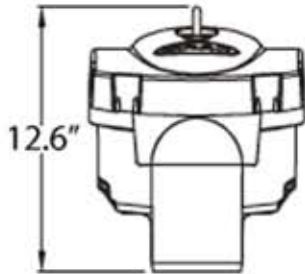
# Optimax<sup>®</sup> Pro Internal Filter

Part Number

340037

## US Adaptation by RainHarvest Systems

Dimensions:



Otto Graf GmbH  
Kunststoffzeugnisse  
79331 Teningen

Carl-Zeiss-Str. 2-6  
Telefon 07641/589-0  
Telefax 07641/589-50  
Email: [info@graf-online.de](mailto:info@graf-online.de)  
[www.graf-online.de](http://www.graf-online.de)

**RainHarvest Systems, LLC**  
6075 Parkway North Drive  
Cumming, GA 30040  
Tel: 770-889-2533 Fax: 770-889-2577  
[www.RainHarvest.com](http://www.RainHarvest.com)