

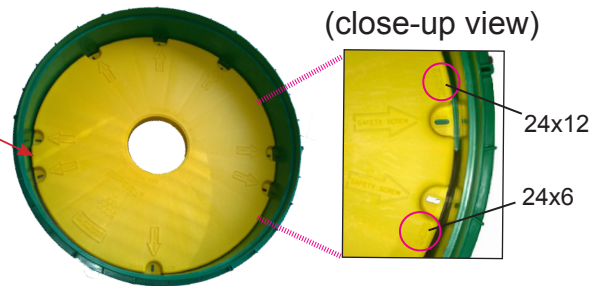
SAFETY LIDS

NEW!

Tuf-Tite Riser System



24"-RISL-FLAT-SL is made with 2 sets of screw holes for proper alignment in 6" tall and 12" tall risers.



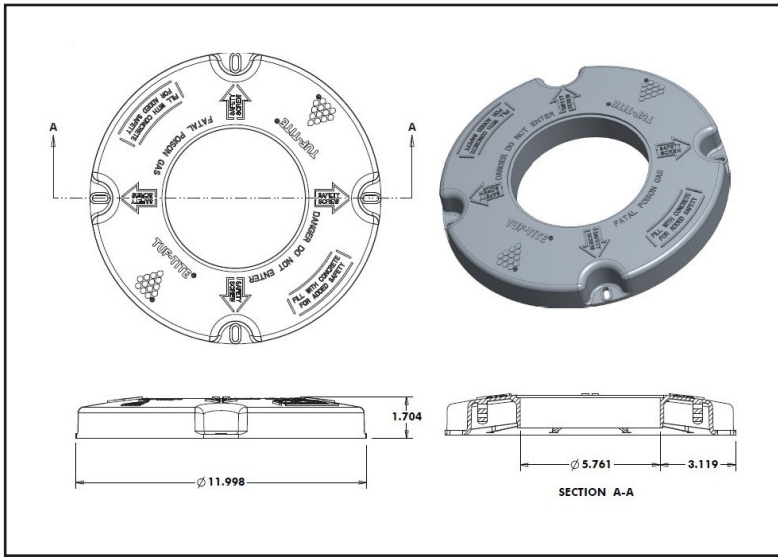
Available in 4 diameters.

Size	Part No.	Qty / Carton
12"	12-RISL-FLAT-SL	38
16"	16-RISL-FLAT-SL	30
20"	20-RISL-FLAT-SL	20
24"	24-RISL-FLAT-SL	17

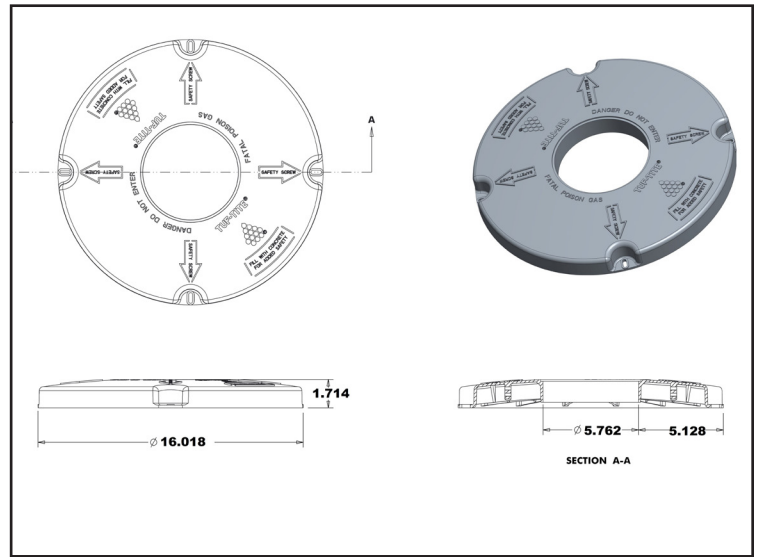


New Safety Lid Drawings

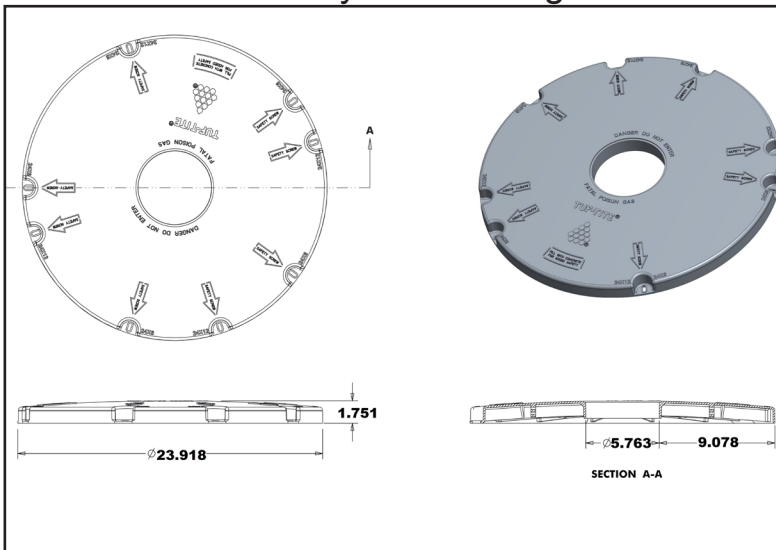
12" Safety Lid Drawing



16" Safety Lid Drawing



24" Safety Lid Drawing



20" Safety Lid Drawing

